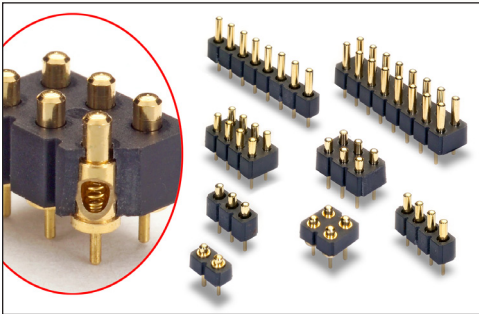


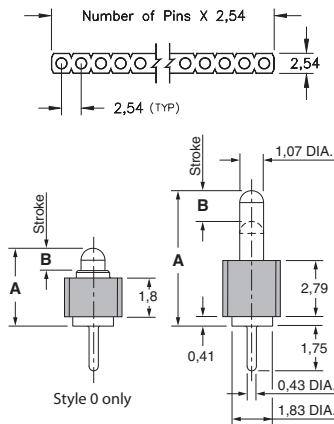
# SPRING-LOADED CONNECTORS

## SERIES 821 & 823 • 2,54 GRID THROUGH-HOLE MOUNT • SINGLE AND DOUBLE ROW STRIPS

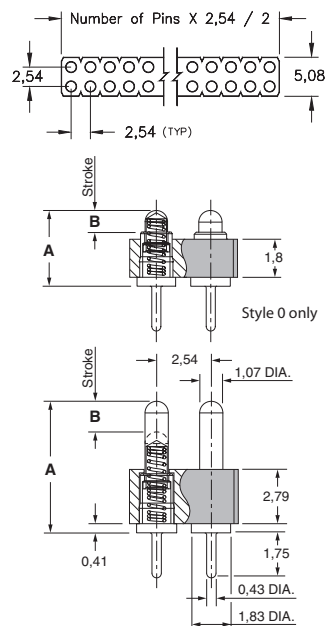


- Modular contacts for use on 2,54 grid, available in five heights from 3,48 to 5,99, supplied in single and double row contact strips
- Precision-machined piston / base and gold-plated components assure up to 1,000,000 cycle life durability
- Pistons have a long stroke relative to the low profile of the assembly
- Low resistance, high current contacts are rated at 2 amps continuous, 3 amps peak
- High temperature thermoplastic insulators are suitable for surface mount processes
- Both 821 & 823 series contact strips are designed for manual placement into  $\varnothing 0,56 \pm 0,08$  plated through-holes in the circuit board prior to hand, wave or reflow soldering

### SINGLE ROW Series 821



### DOUBLE ROW Series 823



## ORDERING INFORMATION

### Single Row Series 821

821-22-0XX-10-00X101

Specify number of contacts 02-64

Specify contact style 0-4

### Double Row Series 823

823-22-0XX-10-00X101

Specify number of contacts 04-72

Specify contact style 0-4

CONTACT STYLE	INITIAL HEIGHT A	MAX. STROKE B
0	3,48	0,99
1	4,50	1,14
2	5,0	1,39
3	5,51	1,39
4	5,99	1,39

### Technical Specifications

#### Materials:

Contact piston & base: Machined copper alloy plated 0,51  $\mu\text{m}$  gold over 2,54  $\mu\text{m}$  nickel  
 Spring: Beryllium copper-plated 0,25  $\mu\text{m}$  gold  
 Insulator: High temperature thermoplastic, rated UL94 V-0

#### Mechanical:

Spring force @ initial height (A): 25 grams  
 Spring force @ mid stroke (B/2): 60 grams  
 Durability: Up to 1,000,000 cycles

#### Electrical:

Voltage rating: 100Vrms/150Vdc  
 Current rating: 2A (continuous), 3A (peak) per contact  
 Contact resistance: 20m $\Omega$  max.  
 Insulation resistance: 10,000M $\Omega$  min.  
 Dielectric strength: 700Vrms min.  
 Capacitance: 1pF max.

RoHS-2  
2011/65/EU

