

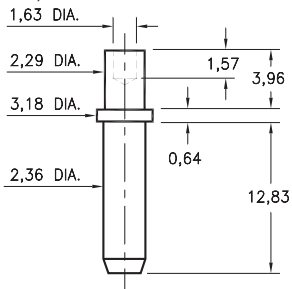
# MALE PCB PINS

## PRINTED CIRCUIT PINS

### 5231

5231-0-00-XX-00-00-38-0

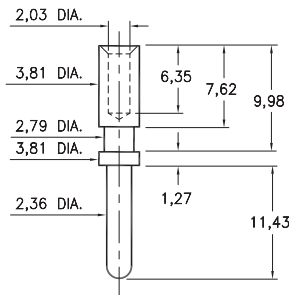
Swage mount in 2,39 hole  
For a 3,18 thick board



### 9092

9092-0-00-XX-00-00-38-0

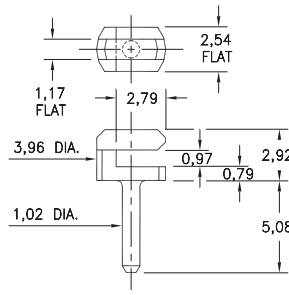
Wire crimp termination up to 14 AWG



### 7310

7310-0-01-XX-00-00-08-0

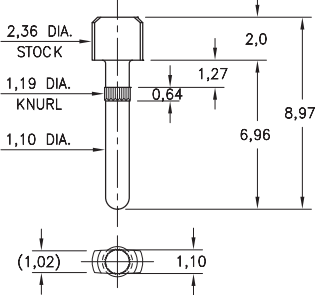
Board edge press-fit



### 5066

5066-0-00-26-00-00-03-0

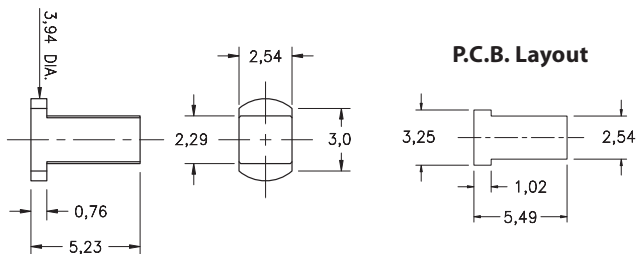
Press-fit in 1,09 mounting hole



### 7937

7937-0-00-15-00-00-03-0

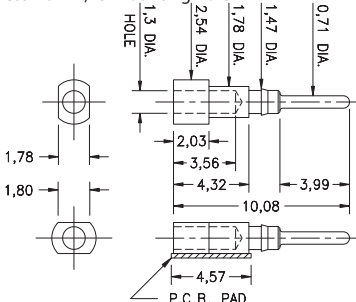
Target contact, horizontal surface mount  
Also available on 16mm wide carrier tape:  
2,400 parts per 330mm reel.  
See page 224.4 for Tape & Reel details



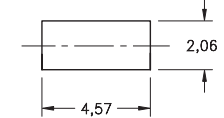
### 1502

1502-0-00-XX-00-00-03-0

Press-fit in 1,45 mounting hole



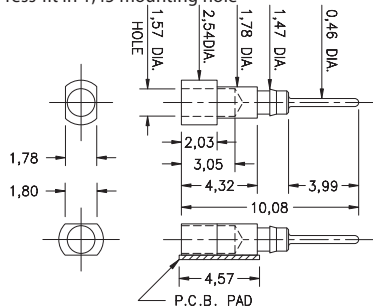
P.C.B. Layout



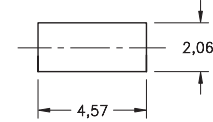
### 5102

5102-0-00-XX-00-00-33-0

Press-fit in 1,45 mounting hole



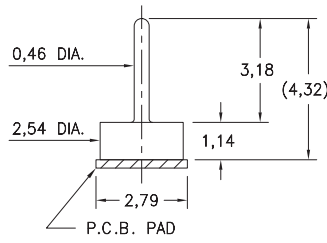
P.C.B. Layout



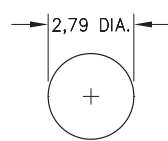
### 1508

1508-0-00-15-00-00-03-0

Test point, surface mount  
Also available on 16mm wide carrier tape:  
1,600 parts per 330mm reel.  
See page 224.4 for Tape & Reel details



P.C.B. Layout



#### SPECIFICATIONS:

**Pin Material:** Brass Alloy 360, 1/2 Hard  
(Except swage pins which are annealed)

**Dimensions:** Millimeters

**Tolerances On:** Lengths:  $\pm 0,13$   
Diameters:  $\pm 0,051$   
Angles:  $\pm 2^\circ$



**ORDER CODE:** XXXX - X - 0X - XX - 00 - 00 - XX - 0

**BASIC PART #**

**SPECIFY PIN FINISH:**

- 01 5,08 $\mu$ m TIN/LEAD OVER NICKEL
- ◆ 80 5,08 $\mu$ m TIN OVER NICKEL (RoHS)
- ◆ 15 0,25 $\mu$ m GOLD OVER NICKEL (RoHS)
- ◆ 21 0,51 $\mu$ m GOLD OVER NICKEL (RoHS)
- ◆ 34 1,27 $\mu$ m GOLD OVER NICKEL (RoHS)

