

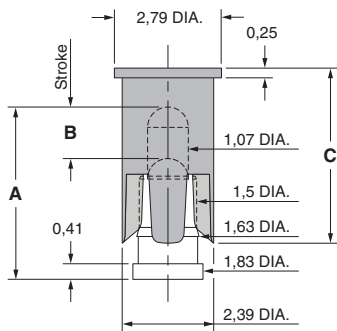
SPRING-LOADED CONNECTORS

SERIES 806 • REMOVABLE PICK & PLACE CAP, SPRING-LOADED PINS • SURFACE MOUNT

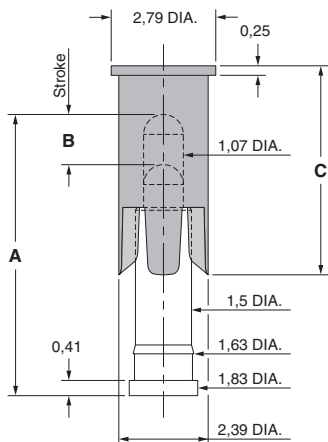


- Surface mount spring-loaded pins with removable pick & place cap are available in nine heights from 3,5 to 7,5 with a rated travel of either 0,5 or 0,7
- Spring pins used in this series are Mill-Max 0900-X and 0907-X (see page 23 for more details)
- The pick & place cap allows individual spring-loaded contacts to be packaged on tape and reel for automated assembly. The caps are easily removed after soldering leaving only the spring pin on the board.
- Pick & place cap material is high temperature thermoplastic suitable for most SMT soldering processes
- Supplied on 16 mm wide carrier tape, 330mm reels; packaging per EIA-481. See below for ordering information

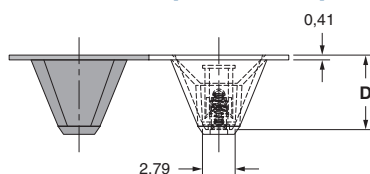
Series 806 (Contact Style 1,2,3,4,10,11)



Series 806 (Contact Style 12,13 & 14)



Series 806 (Tape Pocket Depth)



ORDERING INFORMATION

Series 806 (Tape & Reel Packaged)

806-22-001-30-0XX191

Specify contact style 1-4
Specify contact style 10-14

Contact Style	Initial Height (A)	Rated Travel	Full Stroke Range (B)	Sleeve Height (C)	Tape Depth (D)	Quantity per Reel
1	3,5	0,5	0,76-1,0	4,57	6,4	780
2	3,94	0,5	0,76-1,0	4,57	6,4	780
3	4,5	0,7	1,27-1,4	4,57	6,4	780
4	5,0	0,7	1,27-1,4	4,57	6,4	780
10	5,51	0,7	1,27-1,4	5,59	7,24	750
11	5,99	0,7	1,27-1,4	5,59	7,24	750
12	6,48	0,7	1,27-1,4	5,59	9,17	550
13	6,99	0,7	1,27-1,4	5,59	9,17	550
14	7,49	0,7	1,27-1,4	5,59	9,17	550

Technical Specifications

Materials:

Contact piston & base: Machined copper alloy plated 0,51µm gold over 2,54µm nickel

Spring (Contact style 1-14): Beryllium copper-plated 0,25µm gold
Insulator: High temperature thermoplastic, rated UL94 V-0

Mechanical:

Spring force @ initial height (A) (Contact style 1-14): 25 grams
Spring force @ mid stroke (B/2) (Contact style 1-14): 60 grams
Durability: Up to 1,000,000 cycles

Electrical:

Current rating: 2A (continuous), 3A (peak) per contact
Contact resistance: 20mΩ max.
Insulation resistance: 10,000MΩ min.

RoHS-2
2011/65/EU

