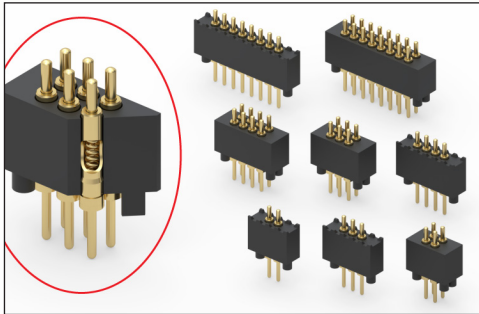


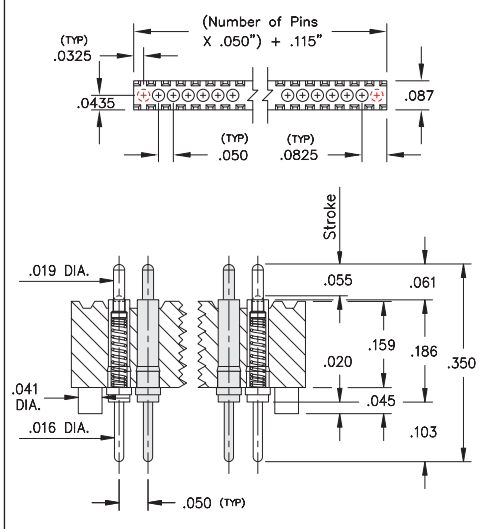
# SPRING-LOADED CONNECTORS

## SERIES 854 & 855 • .050" GRID THROUGH-HOLE MOUNT • SINGLE AND DOUBLE ROW STRIPS WITH STANDOFFS

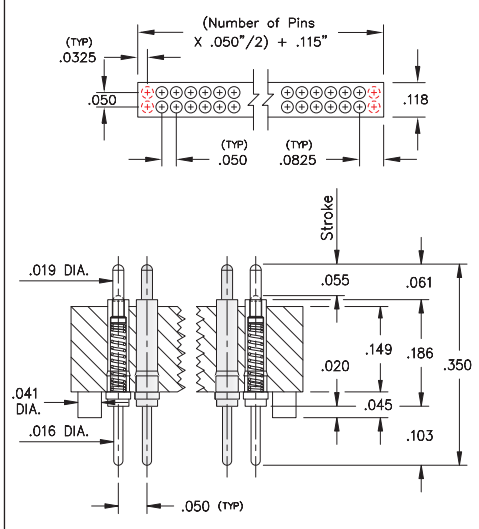


- Modular contacts for use on .050" grid, supplied in single and double row contact strips
- Precision-machined piston / base and gold-plated components assure up to 100,000 cycle life durability
- Pistons have a .0275" mid. stroke and a .055" max. stroke
- Low resistance, high current contacts are rated at 2 amps continuous, 3 amps peak
- High temperature thermoplastic insulators are suitable for wave and reflow processes
- Both 854 & 855 series contact strips are designed for manual placement into Ø .025"±.003" plated through-holes in the circuit board prior to hand, wave or reflow soldering

### SINGLE ROW Series 854



### DOUBLE ROW Series 855



## ORDERING INFORMATION

### Single Row Series 854

854-22-0XX-10-001101

Specify number of contacts 02-20

### Double Row Series 855

855-22-0XX-10-001101

Specify number of contacts 04-40

## Technical Specifications

### Materials:

Contact piston & base: Machined copper alloy plated 20μ" gold over 100μ" nickel  
 Spring: Beryllium copper-plated 10μ" gold  
 Insulator: High temperature thermoplastic, rated UL94 V-0

### Mechanical:

Spring force @ initial height: 25 grams  
 Spring force @ mid stroke (.0275"): 60 grams  
 Durability: Up to 100,000 cycles

### Electrical:

Voltage rating: 100Vrms/150Vdc  
 Current rating: 2A (continuous), 3A (peak) per contact  
 Contact resistance: 20mΩ max.  
 Insulation resistance: 10,000MΩ min.  
 Dielectric strength: 700Vrms min.  
 Capacitance: 1pF max.

RoHS-2  
2011/65/EU

