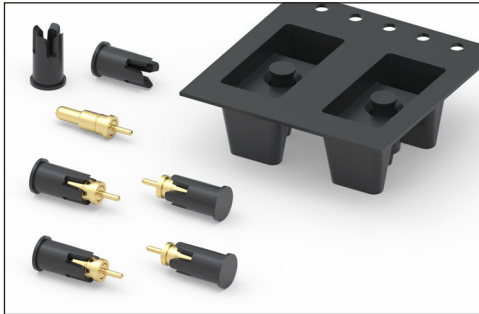


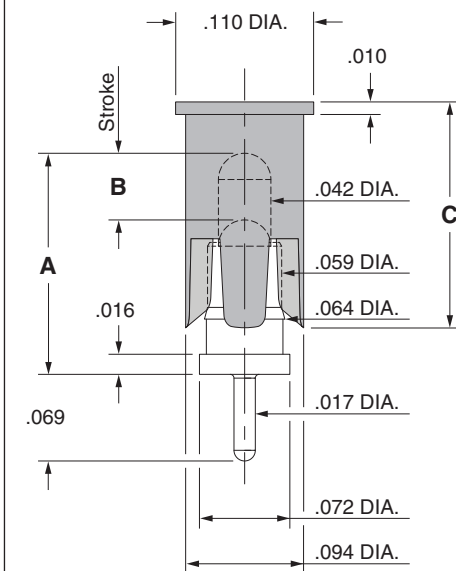
SPRING-LOADED CONNECTORS

SERIES 806 • REMOVABLE PICK & PLACE CAP, SPRING-LOADED PINS • THROUGH-HOLE MOUNT

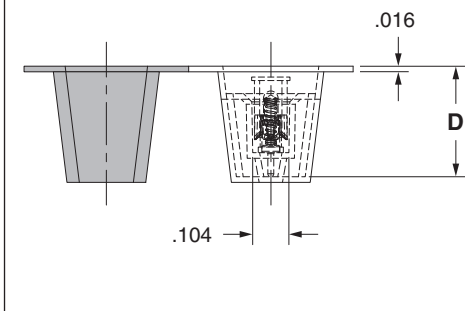


- Through hole mount spring-loaded pins with removable pick & place cap are available in four heights from .137" to .197" with a rated travel of either .0195" or .0275"
- Spring pins used in this series are Mill-Max 0906-X (see page 25 for more details)
- The pick & place cap allows individual spring-loaded contacts to be packaged on tape and reel for automated assembly. The caps are easily removed after soldering leaving only the spring pin on the board
- Pick & place cap material is high temperature thermoplastic suitable for most SMT soldering processes
- Supplied on 24 mm wide carrier tape, 13" reels; packaging per EIA-481. See below for ordering information

Series 806 (Contact Style 1-4)



Series 806 (Tape Pocket Depth)



ORDERING INFORMATION

Series 806 (Tape & Reel Packaged)

806-22-001-10-00X191

Specify contact style 1-4

Contact Style	Initial Height (A)	Rated Travel	Full Stroke Range (B)	Sleeve Height (C)	Tape Depth (D)	Quantity per Reel
1	.137	.0195	.030-.039	.180	.317	640
2	.155	.0195	.030-.039	.180	.317	640
3	.177	.0275	.050-.055	.180	.317	640
4	.197	.0275	.050-.055	.180	.317	640

Technical Specifications

Materials:

Contact piston & base: Machined copper alloy plated 20μ" gold over 100μ" nickel

Spring (Contact style 1-4): Beryllium copper-plated 10μ" gold

Insulator: High temperature thermoplastic, rated UL94 V-0

Mechanical:

Spring force @ initial height (A) (Contact style 1-4): 25 grams

Spring force @ mid stroke (B/2) (Contact style 1-4): 60 grams

Durability: Up to 1,000,000 cycles

Electrical:

Current rating: 2A (continuous), 3A (peak) per contact

Contact resistance: 20mΩ max.

Insulation resistance: 10,000MΩ min.

RoHS-2
2011/65/EU

