

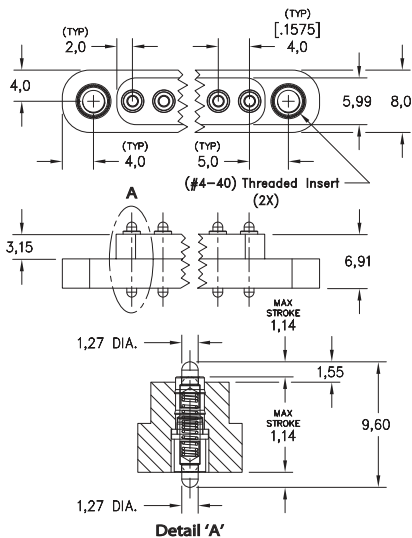
SPRING-LOADED CONNECTORS

SERIES 858 • 4MM GRID RUGGED DUAL PLUNGER SOLDERLESS CONNECTOR

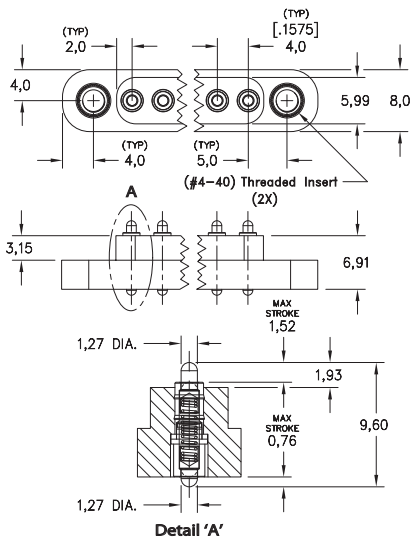


- Rugged Modular contacts for use on 4mm grid, supplied in 2 - 6 position connectors
- Precision-machined piston / base and gold-plated components assure up to 1,000,000 cycle life durability (Rated @ Mid-Stroke)
- Low resistance, high current contacts are rated at 9 amps @ 10°C Temperature rise
- Designed for solderless, compression connections between PCB's and/or devices
- Mounting tabs on the housing provide a means for secure attachment to the PCB and may be specified with or without threaded inserts
- Series 858-22-00X-80-0X1101 connectors are designed with dual action plungers. Each plunger is capable of achieving a 1,14 max. travel individually or simultaneously. Maximum combined stroke of both plungers is 2,29 per spring pin
- Series 858-22-00X-80-0X2101 connectors are designed with dual action plungers. One plunger is capable of achieving a 0,76 max. travel and the other is capable of achieving a 1,52 max. travel. Plungers can achieve their max. travel individually or simultaneously. Maximum combined stroke of both plungers is 2,29 per spring pin
- See Catalog page 19.74 for assemblies with Alignment pegs

Series 858-22-00X-80-0X1101



Series 858-22-00X-80-0X2101



ORDERING INFORMATION

Series 858 (1,14 travel each Plunger)

858-22-00X-80-0X1101
 Specify number of pins 2-6 ↑ ↑ No Threaded inserts = 0
 (#4-40) Threaded inserts = 1

Series 858 (0,76 & 1,52 travel Plungers)

858-22-00X-80-0X2101
 Specify number of pins 2-6 ↑ ↑ No Threaded inserts = 0
 (#4-40) Threaded inserts = 1

Technical Specifications

Materials:

Contact piston & base: Machined copper alloy plated 5,08µm gold over 2,54µm nickel
 Spring: Stainless Steel 302
 Insulator: High temperature thermoplastic, rated UL94 V-0

Mechanical:

Spring force @ initial height: 35 grams
 Spring force @ mid stroke: 120 grams
 Durability: Up to 1,000,000 cycles (Rated @ Mid-Stroke)

Electrical:

Current rating: 9A @ 10° C Temp. rise above ambient (20°C)
 Contact resistance: 20mΩ max. (Rated @ Mid-Stroke)
 Insulation resistance: 10,000MΩ min.

RoHS - 2
 2011/65/EU

