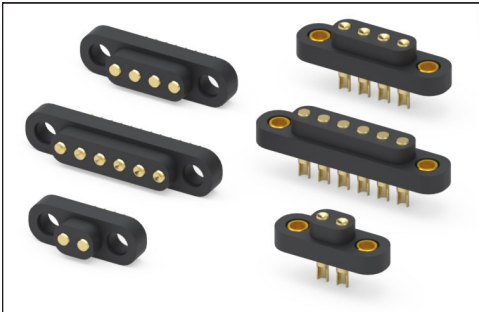


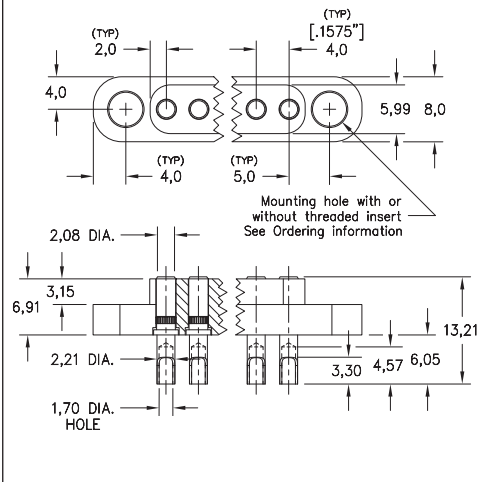
SPRING-LOADED CONNECTORS

SERIES 868 • 4MM GRID RUGGED TARGET CONNECTORS FLAT & CONCAVE FACE • SOLDERCUP TERMINATION

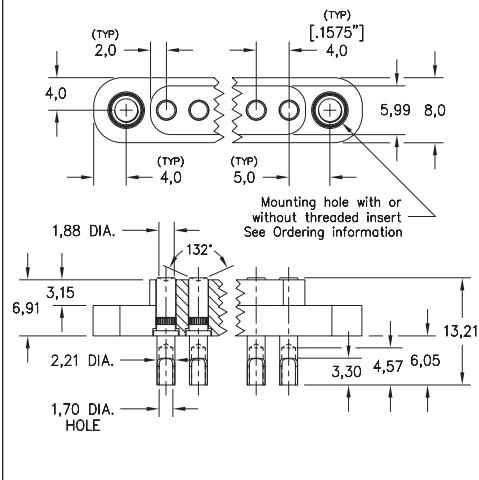


- Rugged Target Connectors for use on 4mm grid, supplied in 2 - 6 position connectors
- Target Connectors provide an excellent gold-plated conductive mating surface for spring-loaded connectors. These series are offered with flat or concave face, providing additional surface area, for mating with Mill-Max 858 and 868 series SMT, through hole or wire termination spring loaded connectors
- Mounting tabs provide a means for secure attachment to PCB's, cable assemblies or other housings and may be specified with or without threaded inserts.
- High temperature thermoplastic insulators are suitable for most automated and manual soldering processes
- Solder cup termination accommodates up to 16 AWG wire
- Series 868-10-00X-00-0X100 use MM #1968-0 target pins & Series 868-10-00X-00-0X200 use #1968-1 target pins. See page 223.5 for details

Series 868-10-00X-00-0X1000



Series 868-10-00X-00-0X2000



ORDERING INFORMATION

Series 868 (Flat Face Through-Hole Mount)

868-10-00X-00-0X1000

Specify number of pins 2-6 → No Threaded inserts = 0 (#4-40) Threaded inserts = 1

Series 868 (Concave Face Through-Hole Mount)

868-10-00X-00-0X2000

Specify number of pins 2-6 → No Threaded inserts = 0 (#4-40) Threaded inserts = 1



XX=Plating Code
See Below

For
Electrical, Mechanical
& Environmental Data,
See page 264

SPECIFY PLATING CODE XX=	10		
Pin Plating 	0,25 µm Au		

