

INTERCONNECTS

SERIES 410, 411, 415 • .100" GRID SOLDER TAIL • DOUBLE ROW STRIPS

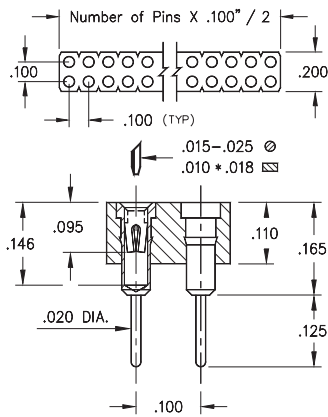


FIG. 1

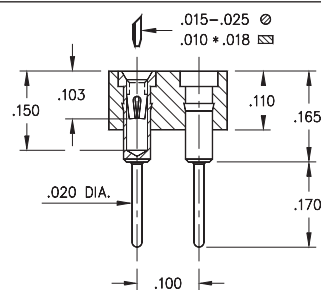


FIG. 2

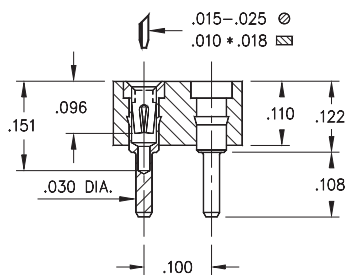


FIG. 3

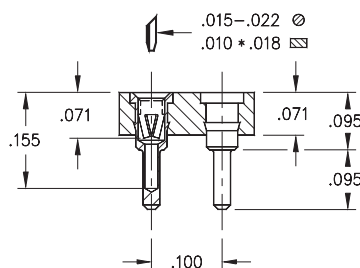
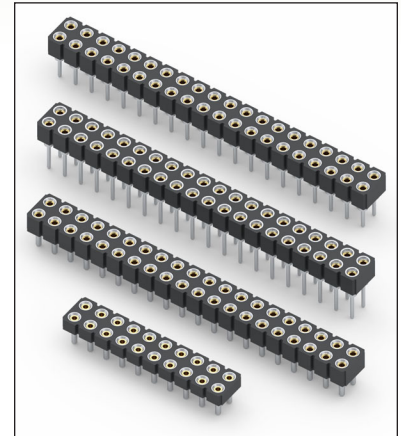


FIG. 4

- Series 41X double row strip sockets are on .100" grid
- Various solder tails available: standard length, long for multi-layer boards, very low and ultra low profile. See Mill-Max #1001, #0134, #0501 or #1534 pins. See pages 161, 162 and 165 for details
- Hi-Rel, 4-finger BeCu #12 and #30 contact are rated at 3 amps. See pages 252 and 253 for details
- Insulators are high temperature thermoplastic, suitable for all soldering operations



ORDERING INFORMATION

	Series 410...001	Standard Solder Tail
FIG. 1	410-XX-2	-41-001000 Specify number of pins 04-64
FIG. 2	Series 411...001	Long Solder Tail
	411-XX-2	-41-001000 Specify number of pins 04-64
FIG. 3	Series 415...001	Very Low Profile
	415-XX-2	-41-001000 Specify number of pins 04-64
FIG. 4	Series 415...003	Ultra Low Profile
	415-XX-2	-41-003000 Specify number of pins 04-64

--	--	--

SPECIFY PLATING CODE XX=	11	13	91	93	41	43	47
Sleeve (Pin)	10 μ" Au	10 μ" Au	200 μ" Sn/Pb	200 μ" Sn/Pb	200 μ" Sn	200 μ" Sn	200 μ" Sn
Contact (Clip)	10 μ" Au	30 μ" Au	10 μ" Au	30 μ" Au	10 μ" Au	30 μ" Au	Au Flash

