

INTERCONNECTS

SERIES 349, 449, 800, 801, 802, 803 • 2,54 GRID (0,76 DIA. PINS), SURFACE MOUNT HEADERS & SOCKETS • SINGLE AND DOUBLE ROW STRIPS

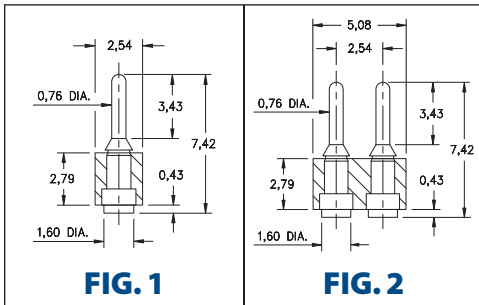


FIG. 1

FIG. 2

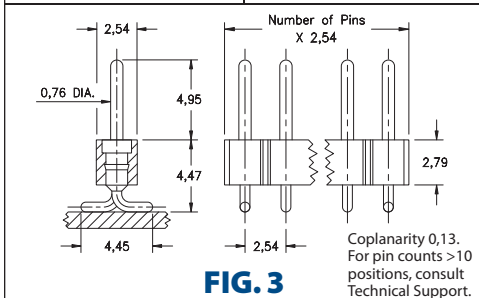


FIG. 3

Coplanarity 0,13.
For pin counts >10
positions, consult
Technical Support.

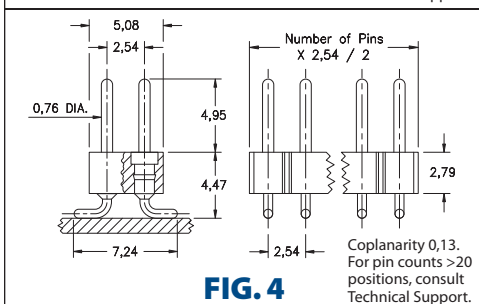


FIG. 4

Coplanarity 0,13.
For pin counts >20
positions, consult
Technical Support.

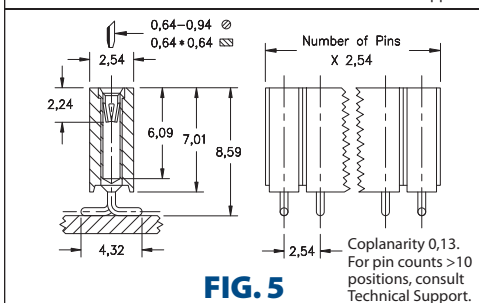


FIG. 5

Coplanarity 0,13.
For pin counts >10
positions, consult
Technical Support.

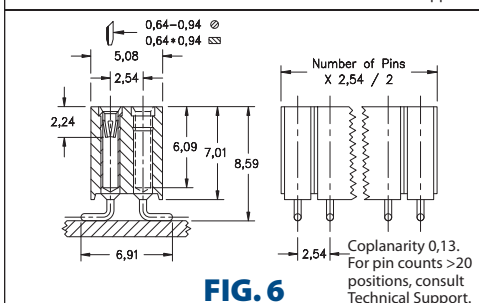
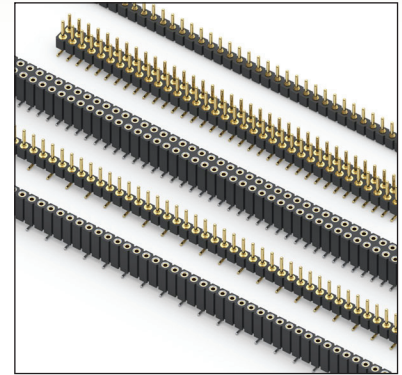


FIG. 6

Coplanarity 0,13.
For pin counts >30
positions, consult
Technical Support.

- Series 349 & 449 use MM #4956-1 pins. See page 218 for details
- Series 800 & 802 use MM #7007 pins. See page 215 for details
- Series 801 & 803 use MM #1304 receptacles and accept pin diameters from 0,64 - 0,94 and 0,64 square pins. See page 177 for details
- Receptacles use Hi-Rel, 6-finger BeCu #47 contact rated at 4.5 amps. See page 256 for details
- Insulators are high temperature thermoplastic, suitable for all soldering operations



ORDERING INFORMATION

FIG. 1	Series 349...560	Single Row Surface Mount Header			
			349-10-1__-00-560000		
		Specify number of pins		02-64	
FIG. 2	Series 449...560	Double Row Surface Mount Header			
			449-10-2__-00-560000		
		Specify number of pins		04-64	
FIG. 3	Series 800...001	Single Row Surface Mount Header			
			800-10-0__-30-001000		
		Specify number of pins		03-64	
FIG. 4	Series 802...001	Double Row Surface Mount Header			
			802-10-0__-30-001000		
		Specify number of pins		04-72	
SPECIFY PLATING CODE XX=			10		
Pin Plating			0,25µm Au		
FIG. 5	Series 801...001	Single Row Surface Mount Socket			
			801-43-0__-30-001000		
		Specify number of pins		03-50	
FIG. 6	Series 803...001	Double Row Surface Mount Socket			
			803-XX-__-30-001000		
		Specify number of pins		004-100	
		RoHS-2			
		2011/65/EU			
		XX=Plating Code			
		See Below			
		For Electrical, Mechanical & Environmental Data,			
		See page 264			
SPECIFY PLATING CODE XX=			93		43
Sleeve (Pin)			5,08µm Sn/Pb		5,08µm Sn
Contact (Clip)			0,76µm Au		0,76µm Au