

MAXIMUM SOLUTIONS

Solderless, Compression Mount Spring-Loaded Connectors

Connectors featuring spring pins with two working plungers for solderless, adjustable connections between mating components.

Mill-Max announces the release of new solderless, compression style spring-loaded connectors. These connectors have two active plungers and are designed to utilize hardware to secure them in position. Since no soldering is required, they facilitate easy adjustment and flexibility during assembly and removal and replacement are simplified.

The 858-22-00X-80-XX1101 and 858-22-00X-80-XX2101 connectors are new additions to our 4 mm pitch rugged, spring-loaded series, they are the first Mill-Max connectors to incorporate spring pins with active plungers at each end. This unique feature makes these connectors ideal for situations in which a soldered connection is not desirable or may not be possible due to design constraints such as temperature considerations, stack up tolerance issues or where ease of assembly and disassembly is required. With spring-loaded plungers as the interface at both ends, the connector is sandwiched between two mating surfaces using screws to compress the plungers on the base end, eliminating the need for soldering. The opposite end plunger then acts as any other spring-loaded connector, ready to engage with a mating device or board.



Environments, such as in medical or research applications, where devices and mating surfaces must be wiped down and cleaned regularly are an excellent use for solderless, compression connectors as they are easy to assemble and disassemble. Test fixtures would also be a good fit as over time the connector will need to be replaced and is done easily, without de-soldering. Docking stations, quick connects or any assembly which relies on a mechanical means to secure the device to the dock or stationary end are very well suited for these connectors along with a variety of board stacking applications.

There are two different plunger travel arrangements available- .045" stroke for both plunger ends or .030" on base end and .060" on device end. Both are single row and are available with or without alignment pins and threaded inserts. The spring pins are of the rugged variety, rated for 9 amps and with stainless steel springs capable of maintaining spring force at elevated temperatures over time.

For more information, please visit www.mill-max.com/PR692.

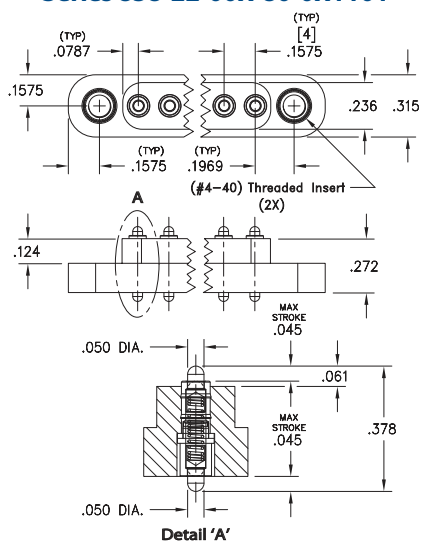
SPRING-LOADED CONNECTORS

SERIES 858 • 4MM GRID RUGGED DUAL PLUNGER SOLDERLESS CONNECTOR

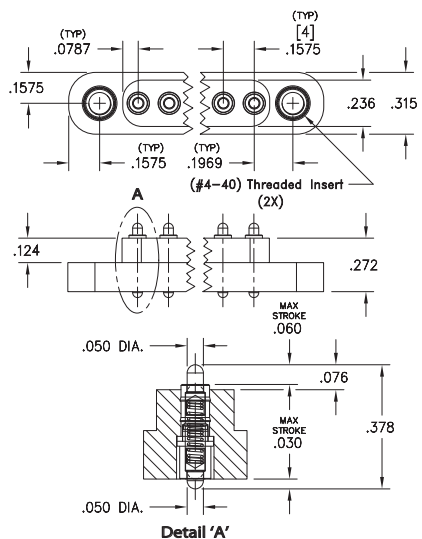


- Rugged Modular contacts for use on 4mm grid, supplied in 2 - 6 position connectors
- Precision-machined piston / base and gold-plated components assure up to 1,000,000 cycle life durability (Rated @ Mid-Stroke)
- Low resistance, high current contacts are rated at 9 amps @ 10°C Temperature rise
- Designed for solderless, compression connections between PCB's and/or devices
- Mounting tabs on the housing provide a means for secure attachment to the PCB and may be specified with or without threaded inserts
- Series 858-22-00X-80-0X1101 connectors are designed with dual action plungers. Each plunger is capable of achieving a .045" max. travel individually or simultaneously. Maximum combined stroke of both plungers is .090" per spring pin
- Series 858-22-00X-80-0X2101 connectors are designed with dual action plungers. One plunger is capable of achieving a .030" max. travel and the other is capable of achieving a .060" max. travel. Plungers can achieve their max. travel individually or simultaneously. Maximum combined stroke of both plungers is .090" per spring pin
- See Catalog page 19.74 for assemblies with Alignment pegs

Series 858-22-00X-80-0X1101



Series 858-22-00X-80-0X2101



ORDERING INFORMATION

Series 858 (.045" travel each Plunger)

858-22-00X-80-0X1101
 Specify number of pins 2-6 ↑ ↑
 No Threaded inserts = 0
 (#4-40) Threaded inserts = 1

Series 858 (.030" & .060" travel Plungers)

858-22-00X-80-0X2101
 Specify number of pins 2-6 ↑ ↑
 No Threaded inserts = 0
 (#4-40) Threaded inserts = 1

Technical Specifications

Materials:

Contact piston & base: Machined copper alloy plated 20μ" gold over 100μ" nickel
 Spring: Stainless Steel 302
 Insulator: High temperature thermoplastic, rated UL94 V-0

Mechanical:

Spring force @ initial height: 35 grams
 Spring force @ mid stroke: 120 grams
 Durability: Up to 1,000,000 cycles (Rated @ Mid-Stroke)

Electrical:

Current rating: 9A @ 10° C Temp. rise above ambient (20°C)
 Contact resistance: 20mΩ max. (Rated @ Mid-Stroke)
 Insulation resistance: 10,000MΩ min.

RoHS-2
 2011/65/EU



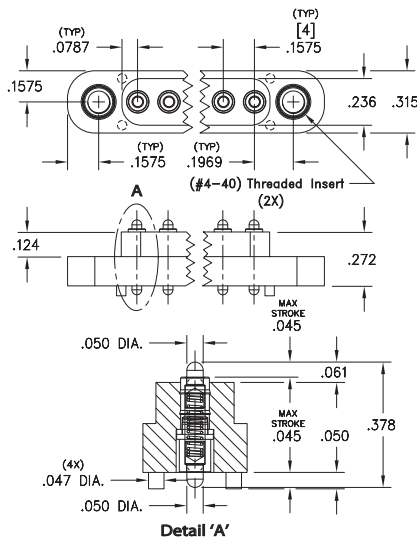
SPRING-LOADED CONNECTORS

SERIES 858 • 4MM GRID RUGGED DUAL PLUNGER SOLDERLESS CONNECTOR WITH ALIGNMENT PEGS

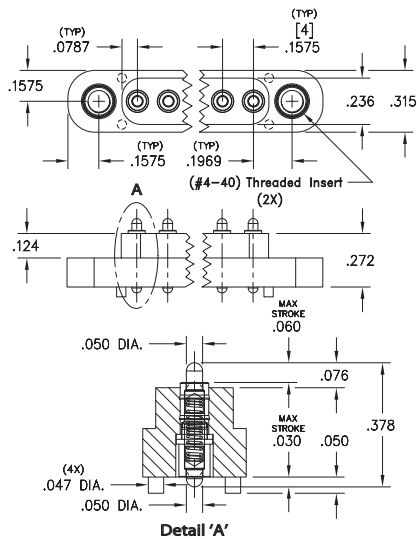


- Rugged Modular contacts for use on 4mm grid, supplied in 2 - 6 position connectors
- Precision-machined piston / base and gold-plated components assure up to 1,000,000 cycle life durability (Rated @ Mid-Stroke)
- Low resistance, high current contacts are rated at 9 amps @ 10°C Temperature rise
- Designed for solderless, compression connections between PCB's and/or devices
- Mounting tabs on the housing provide a means for secure attachment to the PCB and may be specified with or without threaded inserts
- The housing has alignment pegs included to aid in positioning of connector during assembly
- Series 858-22-00X-80-6X1101 connectors are designed with dual action plungers. Each plunger is capable of achieving a .045" max. travel individually or simultaneously. Maximum combined stroke of both plungers is .090" per spring pin
- Series 858-22-00X-80-6X2101 connectors are designed with dual action plungers. One plunger is capable of achieving a .030" max. travel and the other is capable of achieving a .060" max. travel. Plungers can achieve their max. travel individually or simultaneously. Maximum combined stroke of both plungers is .090" per spring pin
- See Catalog page 19.73 for assemblies without Alignment pegs

Series 858-22-00X-80-6X1101



Series 858-22-00X-80-6X2101



ORDERING INFORMATION

Series 858 (.045" travel each Plunger)

858-22-00X-80-6X1101
 Specify number of pins 2-6 No Threaded inserts = 0
 (#4-40) Threaded inserts = 1

Series 858 (.030" & .060" travel Plungers)

858-22-00X-80-6X2101
 Specify number of pins 2-6 No Threaded inserts = 0
 (#4-40) Threaded inserts = 1

Technical Specifications

Materials:

Contact piston & base: Machined copper alloy plated 20μ" gold over 100μ" nickel
 Spring: Stainless Steel 302
 Insulator: High temperature thermoplastic, rated UL94 V-0

Mechanical:

Spring force @ initial height: 35 grams
 Spring force @ mid stroke: 120 grams
 Durability: Up to 1,000,000 cycles (Rated @ Mid-Stroke)

Electrical:

Current rating: 9A @ 10° C Temp. rise above ambient (20°C)
 Contact resistance: 20mΩ max. (Rated @ Mid-Stroke)
 Insulation resistance: 10,000MΩ min.

RoHS-2
 2011/65/EU

