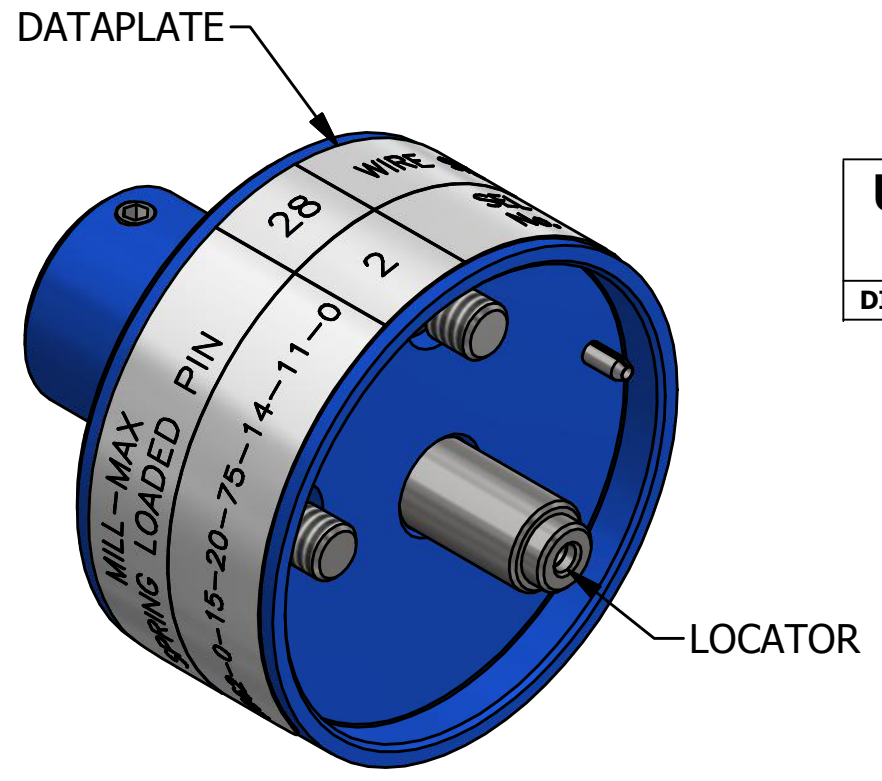
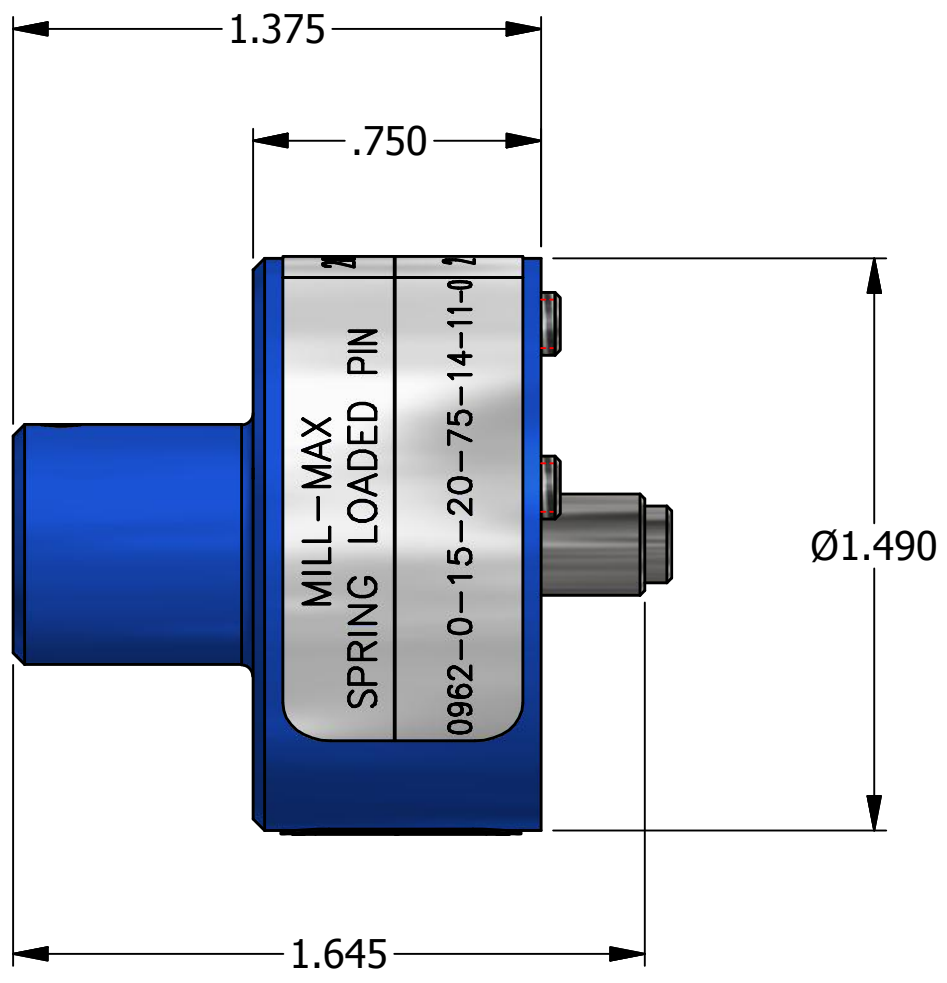


REVISIONS						
REV	ECO NO.	DESCRIPTION	BY	DATE	APP'D BY	DATE
1	23317	ORIGINAL RELEASE	TD	3/28/2014		



**UNCONTROLLED DOCUMENT
WILL NOT BE UPDATED**
DIMENSIONS IN INCHES - UNLESS OTHERWISE SPECIFIED

MILL-MAX SPRING LOADED PIN	28	WIRE SIZE
0962-0-15-20-75-14-11-0	2	SEL No.

LOCATOR	
HOLE DIMENSIONS	ADDITIONAL FEATURES
Ø.074 ▽.35	└┘Ø.081 ▽.042

DATAPLATE

MATERIAL	ITEM	PART NO.	QTY.	DESCRIPTION / REMARKS
N/A	DRN. Tony Dilworth CHK'D.	DATE 3/19/2014 DATE		DMC DANIELS MANUFACTURING CORP. ORLANDO, FLORIDA CAGE 11851
RESTRICTED & CONFIDENTIAL CONFIDENTIAL PROPERTY OF DANIELS MANUFACTURING CORP. NOT TO BE DISCLOSED TO OTHERS. REPRODUCTION OR USED FOR ANY OTHER PURPOSE EXCEPT AS AUTHORIZED IN WRITING BY DANIELS MANUFACTURING. MUST BE RETURNED TO DANIELS MANUFACTURING CORP. ON COMPLETION OF ORDER OR PURPOSES FOR WHICH LENT.	HEAT TREAT	N/A		NOTE: THIS DRAWING IS AN OUTLINE DRAWING OF THE RESPECTIVE DMC PART NUMBER INDICATED. ACTUAL DMC PART NUMBER IS DRAWING NUMBER WITHOUT THE "-ENV" SUFFIX
CREATED FROM AN INVENTOR MODEL. CHANGES MUST BE REFLECTED IN THE 3D PART	FINISH	N/A		TITLE SINGLE POSITION HEAD ENVELOPE DRAWING WHERE USED: AF8
DO NOT SCALE DRAWING				SIZE B SCALE 2:1 CAD P/N TP1740-ENV SHEET 1 OF 1 DWG. NO. TP1740-ENV REV. 1