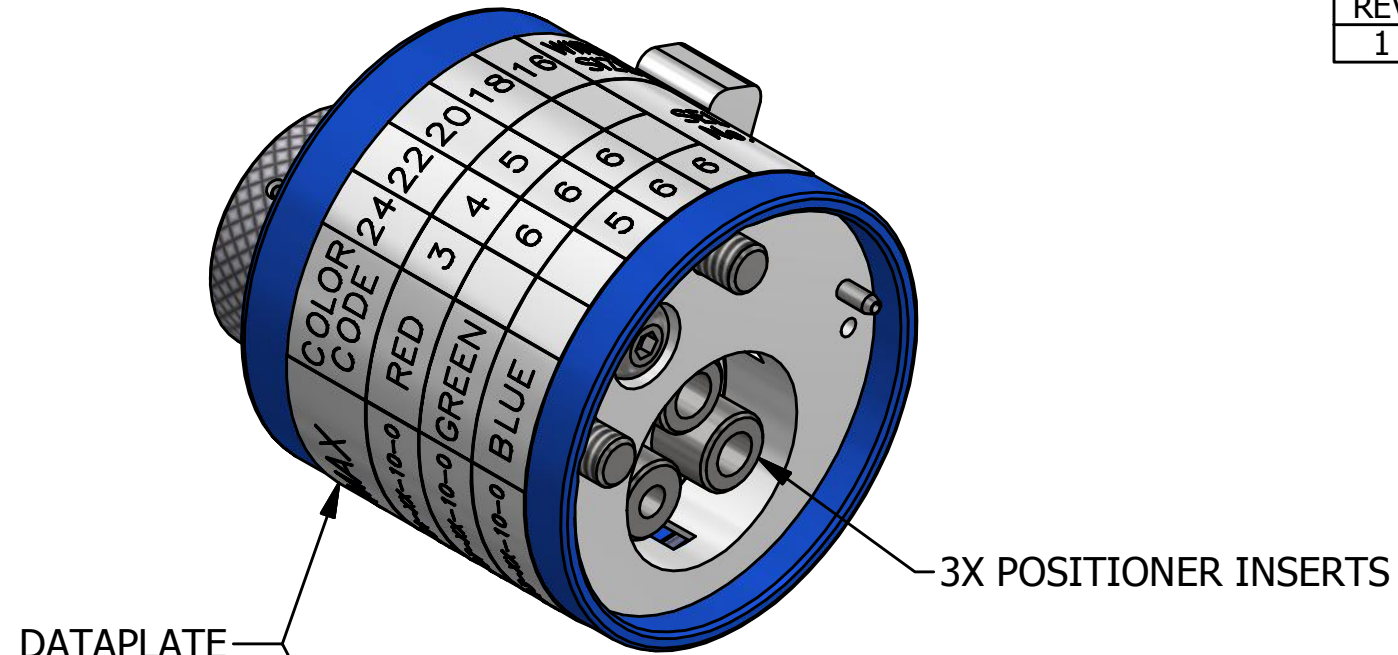


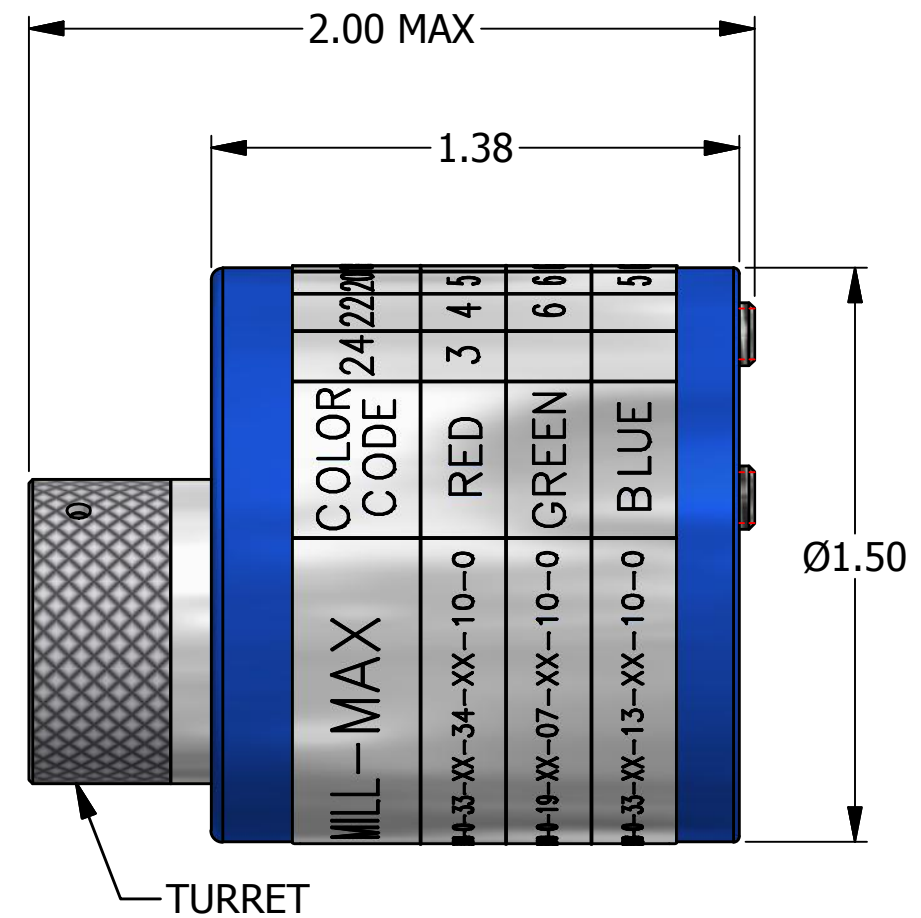
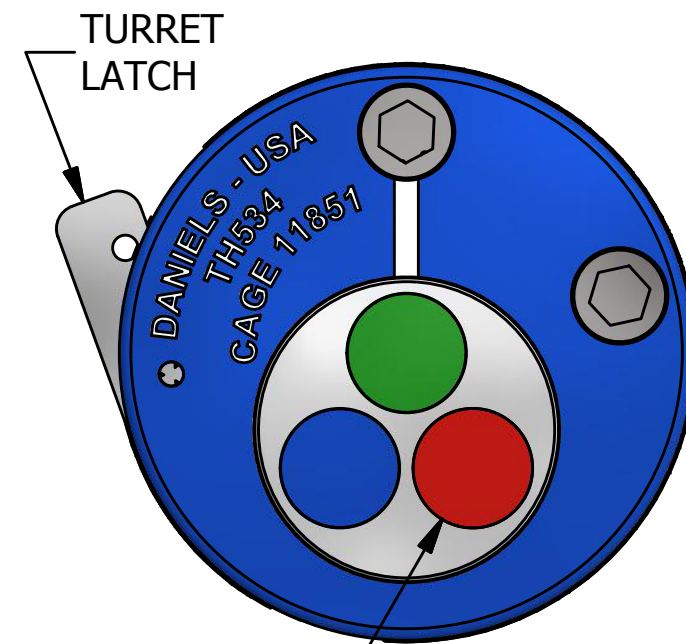
REVISIONS						
REV	ECO NO.	DESCRIPTION	BY	DATE	APP'D BY	DATE
1	9842	ORIGINAL RELEASE	AAM	3/5/1990		



**UNCONTROLLED DOCUMENT  
WILL NOT BE UPDATED**

DIMENSIONS IN INCHES - UNLESS OTHERWISE SPECIFIED

MILL-MAX	COLOR CODE	24	22	20	18	16	WIRE SIZE
0348-0-33-XX-34-XX-10-0	RED	3	4	5			SEL No.
0370-0-19-XX-07-XX-10-0	GREEN		6	6	6		
0368-0-33-XX-13-XX-10-0	BLUE			5	6	6	



INSERT COLOR	HOLE DIMENSIONS	ADDITIONAL FEATURES
RED	Ø.106 ▽.242	
GREEN	Ø.149 ▽.394	
BLUE	Ø.144 ▽.304	

RANDOM ORDER OF ROTATION IS ACCEPTABLE FOR POSITIONER INSERTS

MATERIAL	ITEM	PART NO.	QTY.	DESCRIPTION / REMARKS
N/A	DRN. A. MOO-YOUNG CHK'D.	DATE 3/5/1990 DATE		<b>DMC</b> DANIELS MANUFACTURING CORP. ORLANDO, FLORIDA CAGE 11851
RESTRICTED & CONFIDENTIAL CONFIDENTIAL PROPERTY OF DANIELS MANUFACTURING CORP. NOT TO BE DISCLOSED TO OTHERS. REPRODUCTION OR USED FOR ANY OTHER PURPOSE EXCEPT AS AUTHORIZED IN WRITING BY DANIELS MANUFACTURING. MUST BE RETURNED TO DANIELS MANUFACTURING CORP. ON COMPLETION OF ORDER OR PURPOSES FOR WHICH LENT.	HEAT TREAT	N/A		NOTE: THIS DRAWING IS AN OUTLINE DRAWING OF THE RESPECTIVE DMC PART NUMBER INDICATED. ACTUAL DMC PART NUMBER IS DRAWING NUMBER WITHOUT THE "-ENV" SUFFIX
CREATED FROM AN INVENTOR MODEL. CHANGES MUST BE REFLECTED IN THE 3D PART	FINISH	N/A		TITLE TURRET HEAD ENVELOPE DRAWING WHERE USED: AF8
DO NOT SCALE DRAWING				SIZE B SCALE 2:1 CAD P/N TH534-ENV SHEET 1 OF 1 DWG. NO. TH534-ENV REV. 1