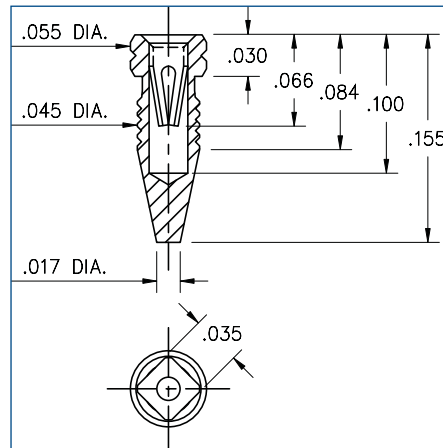


# MAXIMUM SOLUTIONS

## Press-Fit Compliant Body Receptacles



Mill-Max is pleased to announce the development of a unique, low-profile, compliant body socket receptacle capable of press-fitting in FR-4 mounting holes between .041" - .044" (1,04mm - 1,12mm) in diameter.

### Features

- Mill-Max #10 contact clip rated at 2 amps makes this new discrete receptacle ideal for socketing devices with miniature .010" - .017" (0,25mm - 0,43mm) component leads.
- Sleek bullet-shaped body assists in centering the receptacle into mounting holes
- Shell features a wide-mouth countersink entry to guide delicate device leads inside.
- Manufactured using brass alloy on high-speed precision screw machines
- Gold-plated on both the shell and contact surfaces for optimal conductivity and quality
- P/N: [4993-0-15-15-10-27-10-0](#) is RoHS compliant and available both in bulk or can be configured on hi-temp Kapton Polyimide film for package applications.

For more information, please visit: [www.mill-max.com/PR602](http://www.mill-max.com/PR602).

(4/14 -- PR602)

Mill-Max Mfg. Corp. • 190 Pine Hollow Road, Oyster Bay, NY 11771  
516-922-6000 • Fax: 516-922-9253 • [www.mill-max.com](http://www.mill-max.com)

