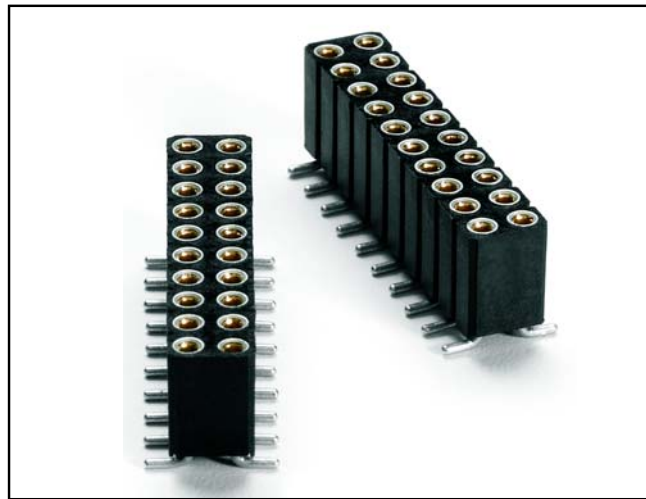


MAX solutions

Double Row SMT Strip Socket for .025"-.037" Diameter and .025" Square Pins



Mill-Max introduces a double row SMT strip socket which accepts .025"-.037" diameter and .025" square pins. This double-row connector is offered standard in 4 (2x2) up to 100 (2x50) position configurations on .100" spacing. The .276" tall insulator is manufactured with high temperature thermoplastic suitable for reflow soldering operations. Each precision-machined receptacle contains a Mill-Max #47 contact clip, rated at 4.5 amps per position. This connector is available in RoHS compliant and traditional platings.

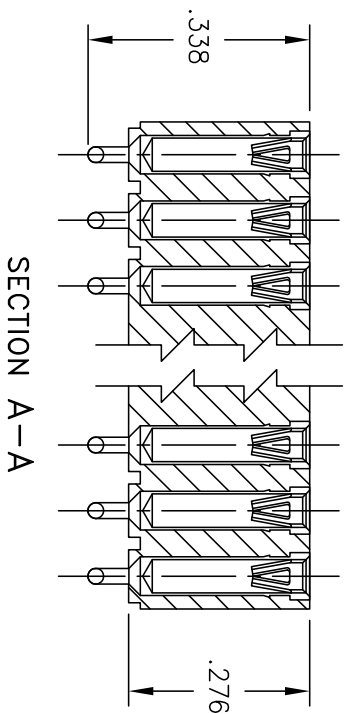
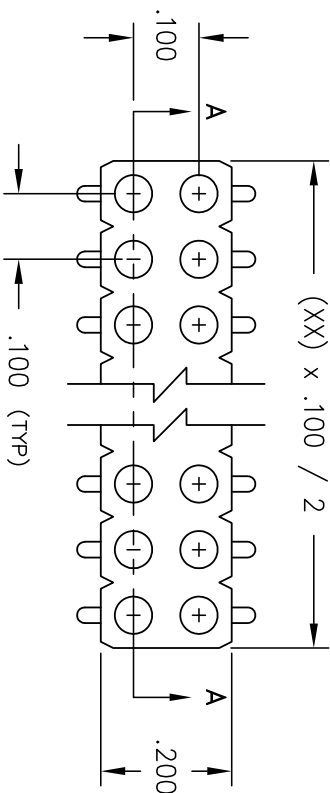
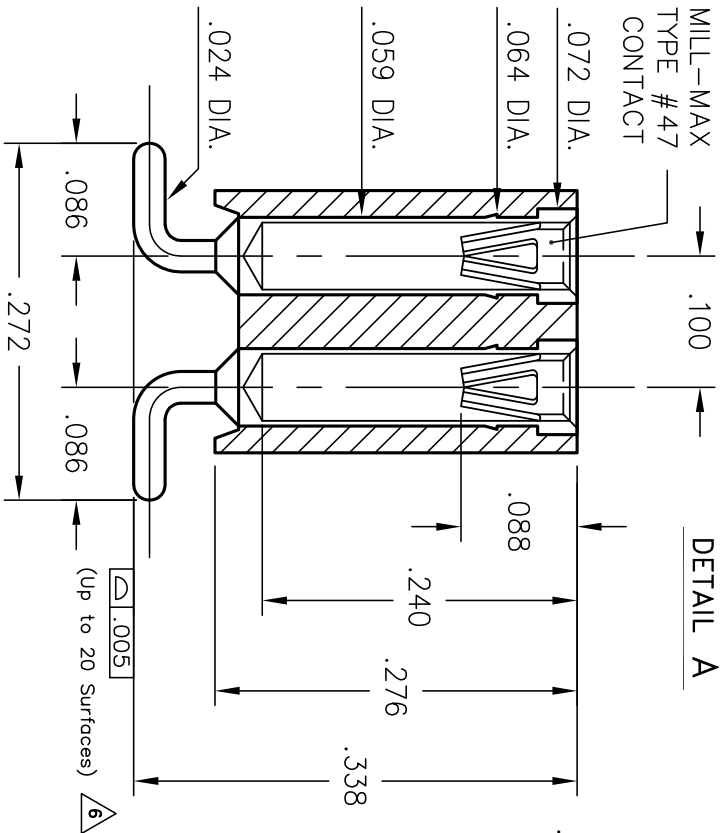
For connector configurations up to 10 positions per row, the coplanarity of the leads is .005". For strips larger than 10 positions per row, the co-planarity will need to be addressed. Please visit www.mill-max.com/PR573 for more information.

(7/09 - 573)

Mill-Max Mfg. Corp. • 190 Pine Hollow Road, Oyster Bay, NY 11771-0300
516-922-6000 • Fax: 516-922-9253 • www.mill-max.com



THIS DRAWING CONTAINS INFORMATION PROPRIETARY TO MILL-MAX MFG. CORP. ANY REPRODUCTION, DISCLOSURE OR USE OF THIS DOCUMENT IS PROHIBITED WITHOUT THE WRITTEN CONSENT OF MILL-MAX MFG. CORP.®



(XX) = Number of Positions (004-100)

ORDER AS: #803-43-XXX-30-001000

NOTES:

1. SHELL MATERIAL: BRASS ALLOY 360, 1/2 HARD.
2. SHELL FINISH: 200 μ " TIN MATTE OVER 100 μ " NICKEL.
3. CONTACT MATERIAL: BERYLLIUM COPPER ALLOY 172, HEAT TREATED.
4. CONTACT FINISH: 30 μ " GOLD OVER 50 μ " NICKEL.
5. INSULATOR MATERIAL: HIGH TEMP. POLYESTER, RATED UL 94 V-0.
6. FOR MORE THAN 20 POSITIONS, CONSULT MILL-MAX MANUFACTURING TECHSUPPORT.



MILL-MAX® MFG. CORP.
P.O. BOX 300, 190 PINE HOLLOW RD, OYSTER BAY, N.Y. 11771-0300
TEL : (616) 922-8000, FAX : (616) 922-8263, WEB : WWW.MILL-MAX.COM

ALL DIMENSIONS IN INCHES AND AFTER PLATING	DIMENSIONS IN INCHES	SCALE	DATE	DRAWN	CHECKED	ENG. APPROVAL	DATE
PIN TOLERANCES: LENGTHS \pm .005 DIAMETERS \pm .002 ANGLES \pm 2°	INSULATOR TOLERANCES: LENGTHS \pm .008 THICKNESS \pm .001 HOLE TO HOLE \pm .001 NOT ACCUMULATIVE	N/S	04/23/07	D.M.	<i>DARRIN</i>	<i>Wandy Fackroyd</i>	
TITLE		DUAL ROW GULL WING SOCKET					
CUSTOMER APPROVAL		DATE	PROPOSAL NUMBER	REV			
			803SERIES	-			