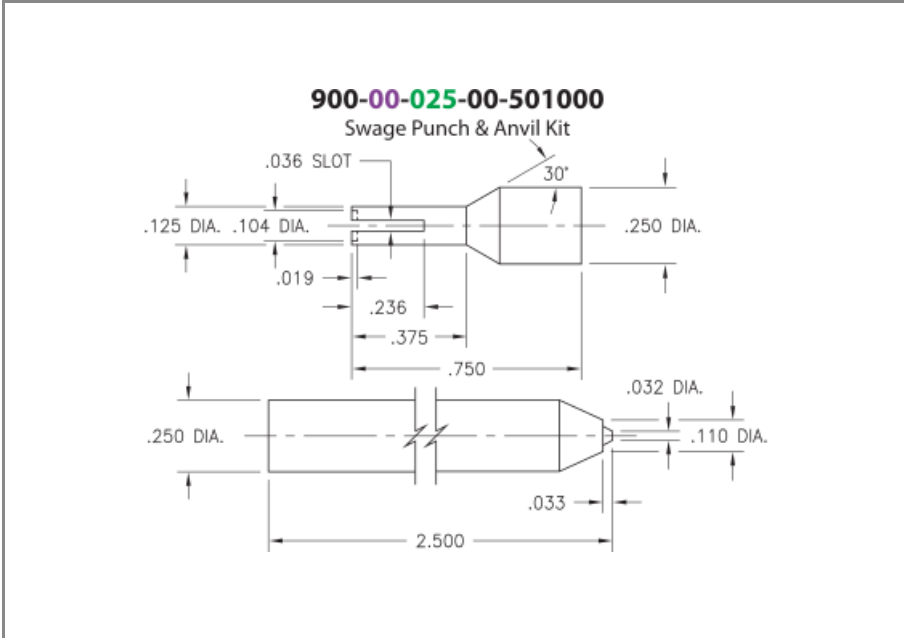




PRODUCT NUMBER: 900-00-025-00-501000

www.mill-max.com
DATA SHEET



General Information	
1 Product Lifecycle:	Active
Category:	Tooling
Product Family:	Swage Tooling
Description:	Punch & Anvil Tools For Swaging
Type:	Swage Staking Kit
Punch/Anvil Material:	Stainless Steel
Anvil Length:	0.750
Punch Length:	2.500
Country of Origin:	USA
2 ROHS:	Yes

900-00-025-00-501000 - SPECIFICATIONS

Packaging Information	
Packaging:	Kit

NOTES:

1. Part is Active and in Production, No Scheduled Obsolescence
2. Mill-Max products labeled with the RoHS symbol are compliant with all three ROHS Directives. All of our products previously described as RoHS (2002/95/EC) and RoHS-2 (2011/65/EC) are also compliant with RoHS-3 (2015/863/EU).

ADDITIONAL NOTES AND SPECIFICATIONS

In the interest of improved design, quality and performance , Mill-Max reserves the right to make changes in its specifications without prior notice. Specifications and tolerances are provided wherever possible. The tolerance on dimensions of critical to function features is typically held tighter than the stated standard tolerances, such as press-fits, holes and lengths affecting the coplanarity of SMT products. Due to the wide variety of interconnects Mill-Max offers, the specific tolerances vary from product to product. If you need information regarding the tolerance of a particular part, please contact Technical Services.

RELATED LINKS AND DOCUMENTS

- Product Detail: [900-00-025-00-501000 - Punch & Anvil Tools For Swaging](#)
- Engineering Notebook: [Introduction to Swage Assembly](#)
- Environmental Compliance: <https://www.mill-max.com/rohs>