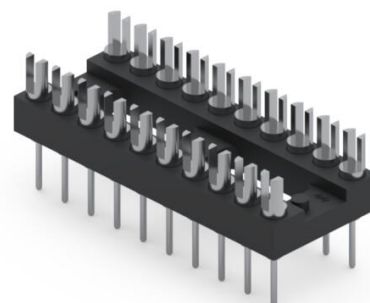
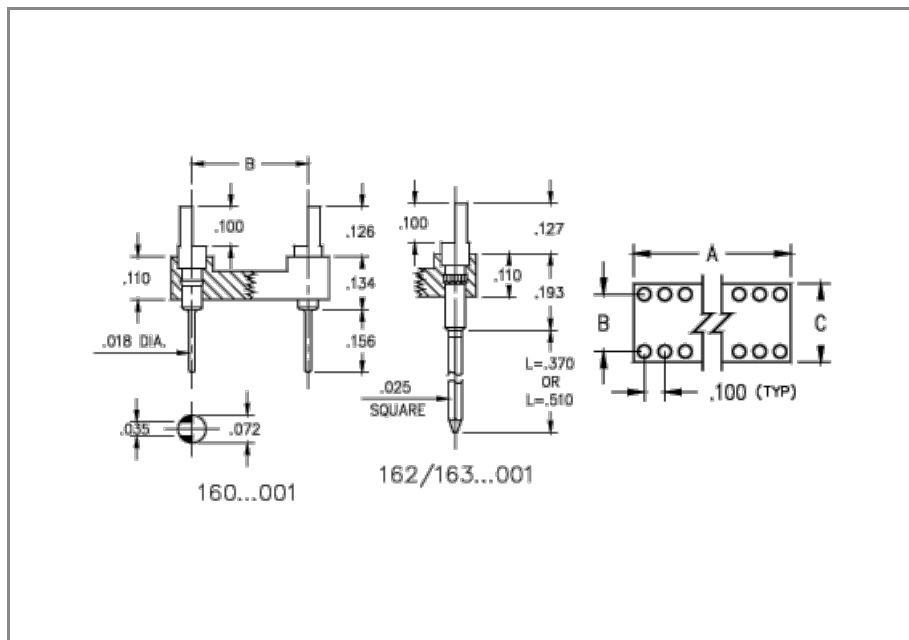




PRODUCT NUMBER: 160-90-320-00-001000

www.mill-max.com
DATA SHEET



General Information	
1 Product Lifecycle:	Active
Product Family:	IC Socket
Type:	Dual In Line Header
2 Description:	Solder Tail DIP Header
Description2:	Slotted Head
Pitch:	.100" (2,540mm)
Number of Pins:	20
Head Type:	Slotted Head
Tail Type:	Solder Tail
3 Operating Temperature Range:	-55/+125° C
Country of Origin:	USA
ROHS:	No

160-90-320-00-001000 - SPECIFICATIONS

Product Attributes	
4 Plating Code:	90 - shell: 200 μ" Tin/Lead(93/7) over 100 μ" Nickel
Insulator Material:	High Temp Thermoplastic
Rows:	N/A
Frame Type:	Open Frame
Contact Number:	N/A
Mounting Tab:	N/A

Key Dimensions	
Above Board Height:	.260" (6,604mm)
Head Diameter:	.072" (1,829mm)
Insulator Height:	.110" (2,794mm)
Tail Diameter:	.018" (0,457mm)
Tail Length:	.156" (3,962mm)
A Dim:	1" (25,400mm)
B Dim:	.300" (7,620mm)
C Dim:	.400" (10,160mm)

Electrical Specifications	
5 Current Rating:	Application Specific
Insulation Resistance:	10,000 MΩ min.
Rated Voltage:	100 VRMS/150 VDC
Dielectric Withstanding Voltage:	1,000 VRMS min.

Mounting Specifications	
Mounting Type:	Through Hole Solder Mount
Mounting Hole:	.022" (0,559mm)
Mounting Tab:	N/A
SMT Pad Size:	N/A

Packaging Information	
Packaging:	Tube
Tape Width:	N/A
Quantity Per Tube:	20

Environmental & Export Classifications	
REACH Status:	REACH Unaffected
ECCN:	Contact Factory
HTSUS:	8536.90.4040
Cage Code:	3N087
Moisture Sensitivity Level (MSL):	1 (Unlimited)
Special Handling Code:	UNDF
Prop 65:	N
Static Sensitive:	N

NOTES:

1. Part is Active and in Production, No Scheduled Obsolescence
2. Standard Tolerances:
Assembly tolerance: +/- .010" (.25mm)
Insulator length: +/- .005 (.13mm)
Insulator width: +/- .005 (.13mm)
Insulator height: +/- .005 (.13mm)
Pin Length: +/- .005 (.13mm)
Pin Diameter: +/- .002 (.051mm)
Pin Angle: +/- 2°
Co-planarity of SMT connectors: .005" (.13mm) up to 1" (25.4mm) in connector length
Insulator Flatness: .005" (.13mm) up to 1" (25.4mm) in connector length
3. Per IEC 60512-11-(4,-9,-10,-12)
4. **Pin Plating:** 200 μ" Tin/Lead(93/7) over 100 μ" Nickel
5. Current rating is typically a measured function of the female socket/connector. The amount of current a solid, male, brass pin can tolerate is a direct relation of the heat displaced based on current and the ability of neighboring components to handle displaced heat.

ADDITIONAL NOTES AND SPECIFICATIONS

In the interest of improved design, quality and performance, Mill-Max reserves the right to make changes in its specifications without prior notice. Specifications and tolerances are provided wherever possible. The tolerance on dimensions of critical to function features is typically held tighter than the stated standard tolerances, such as press-fits, holes and lengths affecting the coplanarity of SMT products. Due to the wide variety of interconnects Mill-Max offers, the specific tolerances vary from product to product. If you need information regarding the tolerance of a particular part, please contact Technical Services.

RELATED LINKS AND DOCUMENTS

- Product Detail: [160-90-320-00-001000 - Solder Tail DIP Header](#)
- Environmental Compliance: <https://www.mill-max.com/rohs>