



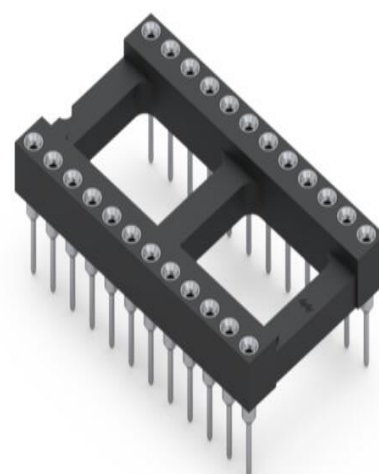
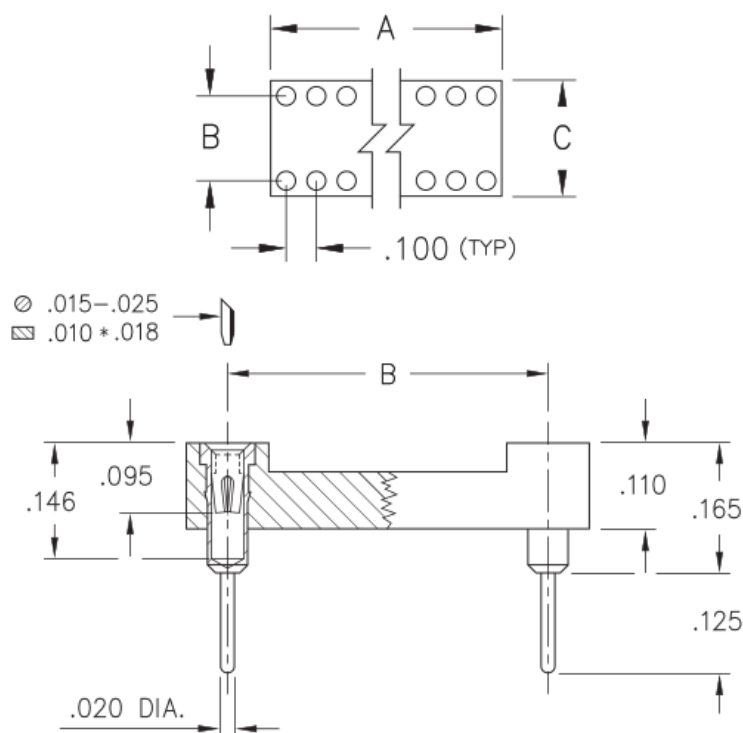
PRODUCT NUMBER:
110-44-624-41-001000

WWW.MILL-MAX.COM

DATA SHEET

110-XX-XXX-41-001000

See Application note for Insulator Details



General Information

¹ Product Lifecycle:	Active
Product Family:	IC Socket
Type:	Dual In Line Socket
² Description:	Standard Solder Tail DIP Socket
Pitch:	.100" (2,540mm)
Number of Pins:	24
Head Type:	N/A
Tail Type:	Solder Tail
³ Operating Temperature Range:	-55/+125° C
Country of Origin:	USA
⁴ ROHS:	Yes

110-44-624-41-001000 - SPECIFICATIONS

Product Attributes

⁵ Plating Code:	44 - shell: 200 μ " Tin (matte finish) over 100 μ " Nickel - inner contact: 100 μ " Tin (matte finish) over 50 μ " Nickel
Insulator Material:	High Temp Thermoplastic
Rows:	N/A
Frame Type:	Open Frame
Contact Number:	30 - Standard 4 Finger Contact
Mounting Tab:	N/A

Key Dimensions

Accepting Lead Range: .015"-.025" (0,381-0,635mm)

Above Board Height: .165" (4,191mm)

Head Diameter: N/A

Insulator Height: .110" (2,794mm)

Tail Diameter: .020" (0,508mm)

Tail Length: .125" (3,175mm)

A Dim: 1.200" (30,480mm)

B Dim: .600" (15,240mm)

C Dim: .700" (17,780mm)

E Dim: N/A

L Dim: N/A

Electrical Specifications

⁶Current Rating: 3 Amps

Contact Resistance: 10.00m Ω Max

Insulation Resistance: 10,000 M Ω min.

Rated Voltage: 100 VRMS/150 VDC

Dielectric Withstanding Voltage: 1,000 VRMS min.

Mechanical Specifications

⁷Mechanical life (Durability): 1,000 Cycles Minimum

⁸Shock: No Elect. Discontinuity > 1 μ s @ 50g

⁹Vibration: No Elect. Discontinuity > 1 μ s @ 10-2000HZ, 15 G

Mounting Specifications

Mounting Specifications

Mounting Type: Through Hole Solder Mount
Mounting Hole: .028" (0,711mm)
Mounting Tab: N/A
SMT Pad Size: N/A

Packaging Information

Packaging: Tube
Tape Width: N/A
Quantity Per Tube: 16

Environmental & Export Classifications

REACH Status: REACH Unaffected
ECCN: Contact Factory
HTSUS: 8536.90.4040
Cage Code: 3N087
Moisture Sensitivity Level (MSL): 1 (Unlimited)
Special Handling Code: UNDF
Prop 65: N
Static Sensitive: N

NOTES:

1. Part is Active and in Production, No Scheduled Obsolescence
2. Standard Tolerances:
 - Assembly tolerance: +/- .010" (.25mm)
 - Insulator length: +/- .005 (.13mm)
 - Insulator width: +/- .005 (.13mm)
 - Insulator height: +/- .005 (.13mm)
 - Pin Length: +/- .005 (.13mm)
 - Pin Diameter: +/- .002 (.051mm)
 - Pin Angle: +/- 2°
 - Co-planarity of SMT connectors: .005" (.13mm) up to 1" (25.4mm) in connector length
 - Insulator Flatness: .005" (.13mm) up to 1" (25.4mm) in connector length
3. Per IEC 60512-11-(4,-9,-10,-12)
4. Mill-Max products labeled with the RoHS symbol are compliant with all three ROHS Directives. All of our products previously described as RoHS (2002/95/EC) and RoHS-2 (2011/65/EC) are also compliant with RoHS-3

(2015/863/EU).

5. **Shell Plating:** 200 μ " Tin (matte finish) over 100 μ " Nickel
Contact/Clip Plating: 100 μ " Tin (matte finish) over 50 μ " Nickel
6. Per IEC 60512-5-1, Current Carrying Capacity (evaluated at 10° C Temp. Rise)
7. Receptacles are capable of 1,000 Minimum insertion/extraction cycles for a broad range of applications. Mating pin size, shape and finish, along with application specific variables, will affect the life of a receptacle contact.
8. For discrete pin only. Per IEC 60512-6-3: Test 6c: Shock
9. For discrete pin only. Per IEC 60512-6-4: Test 6d: Vibration (sinusoidal)

ADDITIONAL NOTES AND SPECIFICATIONS

In the interest of improved design, quality and performance , Mill-Max reserves the right to make changes in its specifications without prior notice. Specifications and tolerances are provided wherever possible. The tolerance on dimensions of critical to function features is typically held tighter than the stated standard tolerances, such as press-fits, holes and lengths affecting the coplanarity of SMT products. Due to the wide variety of interconnects Mill-Max offers, the specific tolerances vary from product to product. If you need information regarding the tolerance of a particular part, please contact Technical Services.

RELATED LINKS AND DOCUMENTS

- Product Detail: [110-44-624-41-001000 - Standard Solder Tail](#)
- [DIP Insulator Information](#)
- Environmental Compliance: <https://www.mill-max.com/rohs>