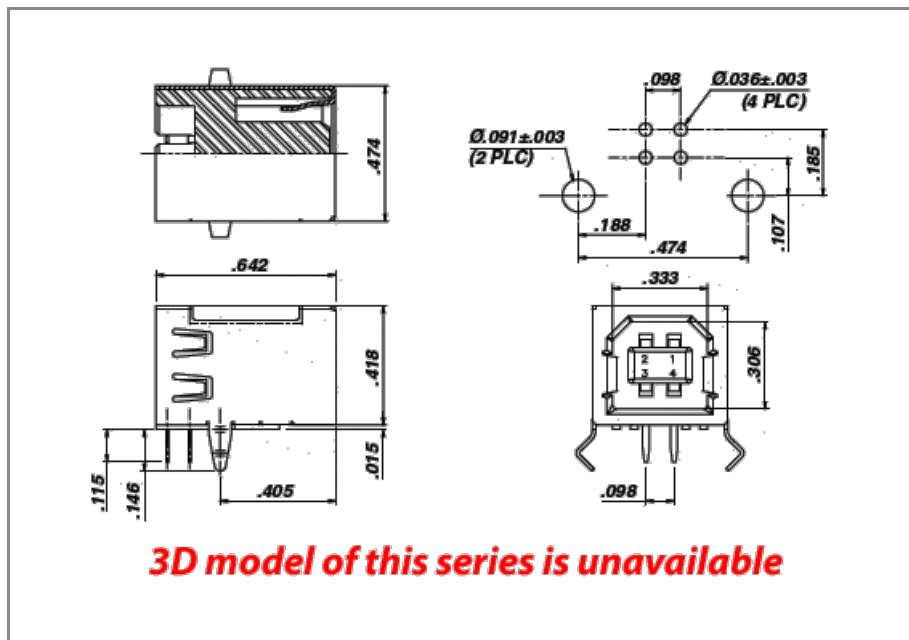




PRODUCT NUMBER: 897-43-004-90-000000

www.mill-max.com  
DATA SHEET



General Information	
1 Product Lifecycle:	Active
Product Family:	IO Socket
Type:	Connector
Description:	Type B
Description2:	USB 2.0
Number of Pins:	4
Operating Temperature Range:	-40/+85° C
Country of Origin:	ROC
2 ROHS:	Yes

## 897-43-004-90-000000 - SPECIFICATIONS

Product Attributes	
3 Plating Code:	43 - Copper Alloy, Tin-Plated Terminals; Stainless Steel Casing & Shield
Rows:	Single USB
USB Type:	USB 2.0

Key Dimensions	
Above Board Height:	.433" (10,998mm)

Mounting Specifications	
Mounting Type:	Through Hole Solder Mount USB
Mounting Hole:	.036" (0,914mm)

Packaging Information	
Packaging:	Packaged in Trays
Tape Width:	N/A
Quantity Per Tube:	150

### NOTES:

1. Part is Active and in Production, No Scheduled Obsolescence
2. Mill-Max products labeled with the RoHS symbol are compliant with all three ROHS Directives. All of our products previously described as RoHS (2002/95/EC) and RoHS-2 (2011/65/EC) are also compliant with RoHS-3 (2015/863/EU).
3. Terminals: Copper Alloy, Tin-Plated  
Casing and Shield: Stainless Steel

## ADDITIONAL NOTES AND SPECIFICATIONS

In the interest of improved design, quality and performance, Mill-Max reserves the right to make changes in its specifications without prior notice. Specifications and tolerances are provided wherever possible. The tolerance on dimensions of critical to function features is typically held tighter than the stated standard tolerances, such as press-fits, holes and lengths affecting the coplanarity of SMT products. Due to the wide variety of interconnects Mill-Max offers, the specific tolerances vary from product to product. If you need information regarding the tolerance of a particular part, please contact Technical Services.

## RELATED LINKS AND DOCUMENTS

- Product Detail: [897-43-004-90-000000 - Type B](#)
- Environmental Compliance: <https://www.mill-max.com/rohs>