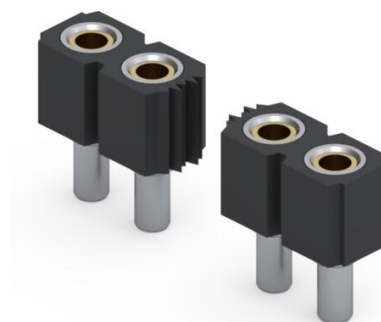
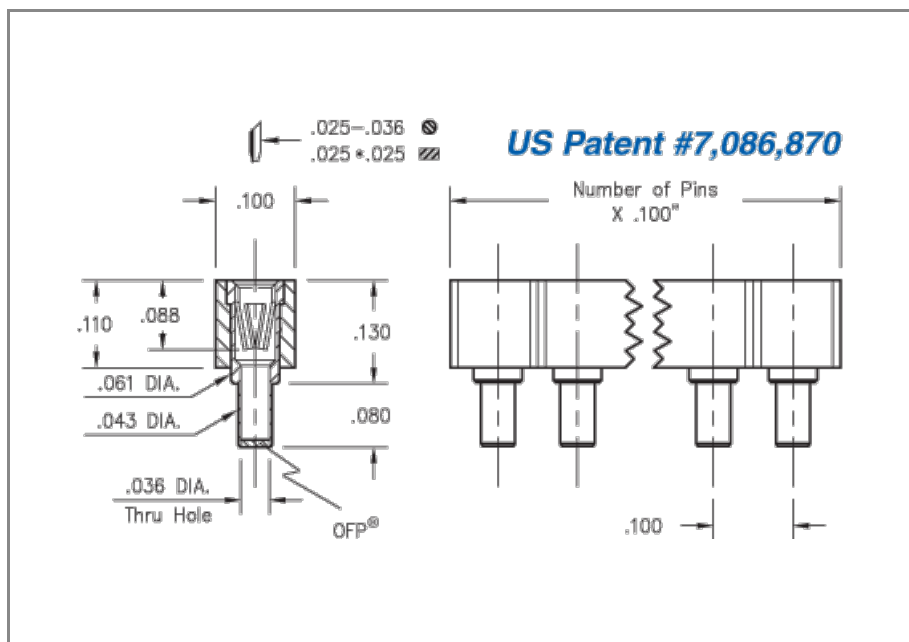




PRODUCT NUMBER: 834-93-011-10-001000

www.mill-max.com  
DATA SHEET



General Information	
1 Product Lifecycle:	Active
Product Family:	PCB Connector
Type:	Machined Pin Socket
2 Description:	Organic Fibre Plug Pass Thru Socket
Description2:	Accepts .025" - .036" (0,635 - 0,914 mm) dia leads
Pitch:	.100" (2,540mm)
Number of Pins:	11
Tail Type:	N/A
3 Operating Temperature Range:	-55/+125° C
Country of Origin:	USA
ROHS:	No

## 834-93-011-10-001000 - SPECIFICATIONS

Product Attributes	
4 Plating Code:	93 - shell: 200 $\mu$ " Tin/Lead(93/7) over 100 $\mu$ " Nickel - inner contact: 30 $\mu$ " Gold over 50 $\mu$ " Nickel
Insulator Material:	High Temp Thermoplastic
Rows:	Single Row
Frame Type:	N/A
Contact Number:	47 - Standard 6 Finger Contact
Mounting Tab:	N/A

Key Dimensions	
Accepting Lead Range:	.025"-.037" (0,635-0,940mm)
Insulator Height:	.110" (2,794mm)
Tail Diameter:	N/A
Tail Length:	N/A

Electrical Specifications	
5 Current Rating:	3 Amps
Contact Resistance:	10.00m $\Omega$ Max
Insulation Resistance:	10,000 M $\Omega$ min.
Rated Voltage:	100 VRMS/150 VDC
Dielectric Withstanding Voltage:	1,000 VRMS min.

Mounting Specifications	
Mounting Type:	Through Hole Solder Mount
Mounting Hole:	.048" (1,219mm)
Mounting Tab:	N/A
SMT Pad Size:	N/A

Packaging Information	
6 Packaging:	Packaged in Box or Tube
Tape Width:	N/A

Environmental & Export Classifications	
REACH Status:	REACH Unaffected
ECCN:	Contact Factory
HTSUS:	8536.90.4040
Cage Code:	3N087
Moisture Sensitivity Level (MSL):	1 (Unlimited)
Prop 65:	N
Static Sensitive:	N

**NOTES:**

1. Part is Active and in Production, No Scheduled Obsolescence

2. **Standard Tolerances**

Assembly tolerance: +/- .010" (.25mm)

Connector Length "L"

Connector Length "L"	Tolerance
L ≤ 2" (L ≤ 50.8 mm)	+/- .005" (+/- .127 mm)
2 < L ≤ 3" (50.8 < L ≤ 76.2 mm)	+ .007 / - .006" (+ .178 / -.152 mm)
3 < L ≤ 4" (76.2 < L ≤ 101.6 mm)	+ .009 / - .007" (+ .229 / - .178 mm)
4 < L ≤ 5" (101.6 < L ≤ 127 mm)	+ .011 / - .008" (+ .279 / - .203 mm)
5 < L ≤ 6.4" (127 < L ≤ 162.56 mm)	+ .013 / - .009" (+ .330 / - .229 mm)

Insulator width: +/- .005 (.13mm)

Insulator height: +/- .005 (.13mm)

Co-planarity of SMT connectors: .005" (.13mm) up to 1" (25.4mm) in connector length

Insulator Flatness: .005" (.13mm) up to 1" (25.4mm) in connector length

Pin Length: +/- .005 (.13mm)

Pin Diameter: +/- .002 (.051mm)

Pin Angle: +/- 2°

3. Per IEC 60512-11-(4,-9,-10,-12)

4. **Shell Plating:** 200 μ" Tin/Lead(93/7) over 100 μ" Nickel

**Contact/Clip Plating:** 30 μ" Gold over 50 μ" Nickel

5. Per IEC 60512-5-1, Current Carrying Capacity (evaluated at 10° C Temp. Rise)

6. Not all part numbers in the series may be packaged in tubes. Some specific part numbers may be packaged in a box.

**ADDITIONAL NOTES AND SPECIFICATIONS**

In the interest of improved design, quality and performance , Mill-Max reserves the right to make changes in its specifications without prior notice. Specifications and tolerances are provided wherever possible. The tolerance on dimensions of critical to function features is typically held tighter than the stated standard tolerances, such as press-fits, holes and lengths affecting the coplanarity of SMT products. Due to the wide variety of interconnects Mill-Max offers, the specific tolerances vary from product to product. If you need information regarding the tolerance of a particular part, please contact Technical Services.

## RELATED LINKS AND DOCUMENTS

- Product Detail: [834-93-011-10-001000 - Organic Fibre Plug Pass Thru Socket](#)
- [Application Note - Organic Fibre Plug \(OFP\) Receptacles](#)
- Engineering Notebook: [Features of Organic Fibre Plug® Pass Through Interconnects](#)
- Environmental Compliance: <https://www.mill-max.com/rohs>