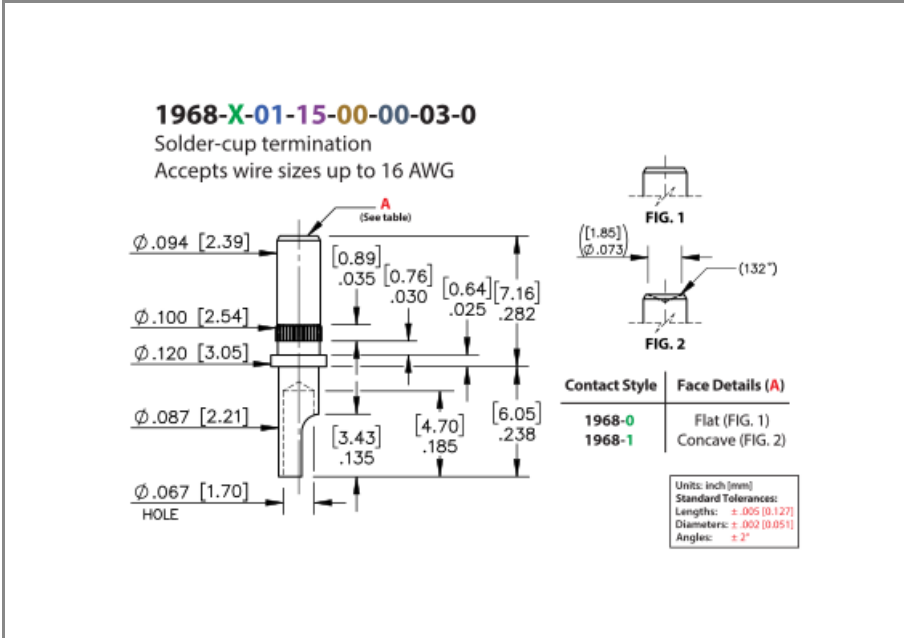




PRODUCT NUMBER: 1968-1-01-15-00-00-03-0

www.mill-max.com
DATA SHEET



General Information	
1 Product Lifecycle:	Active
Product Family:	Discrete Spring-Loaded Target Contacts
2 Description:	Concave Face Target Contact for Spring-Loaded Pins
3 Shell Material:	Brass Alloy
4 Shell Plating:	15 - 10 μ" Gold over Nickel
5 Operating Temperature Range:	- 55/+125° C
Country of Origin:	USA

Additional Parts, Packaging & Assembly	
Tail:	Single
Tail Type:	Soldercup
Head Type:	N/A
Hole Type:	N/A
Wire Termination:	Soldercup up to 16 AWG

1968-1-01-15-00-00-03-0 - SPECIFICATIONS

Product Attributes	
Plunger Type:	N/A
Plunger Diameter:	N/A
Stroke:	N/A
Rated Travel (Mid-Stroke):	N/A
Spring Force (Initial):	N/A
Spring Force (Mid-Stroke):	N/A
Target Face Type:	Concave Face

Key Dimensions	
Barb/Knurl Diameter:	.100" (2,540mm)
Body Diameter:	.094" (2,388mm)
Body Length:	.282" (7,163mm)
Flange Diameter:	.120" (3,048mm)
Flange Length:	.025" (0,635mm)
Head Diameter:	N/A
Hole Depth:	N/A
Initial Height:	N/A
Overall Length:	.520" (13,208mm)
Tail Diameter:	.087" (2,210mm)
Tail Length:	.238" (6,045mm)

Electrical Specifications	
6 Maximum Current:	Application Specific

Mounting Specifications	
Mounting Feature:	Press-Fit into a Non-Plated Through Hole (NPTH) or Insulator
Mounting Hole Type:	Non-Plated Through Hole (NPTH)
Mounting Hole:	.097" (2,464mm)
Alternate Mounting:	N/A
Alternate Mounting Hole:	N/A
SMT Pad Size:	N/A

Packaging Information	
Packaging:	01 - Packaged in Bulk
Reel Size:	N/A

Environmental & Export Classifications	
Cage Code:	3N087
ECCN:	Contact Factory
HTSUS:	8536.90.4000
Moisture Sensitivity Level (MSL):	1 (Unlimited)
Prop 65:	N
REACH Status:	REACH Unaffected
Special Handling Code:	UNDF
Static Sensitive:	N

NOTES:

1. Part is Active and in Production, No Scheduled Obsolescence
2. Standard Tolerances:
Lengths +/- .005" (0,13)
Diameters: +/- .002" (0,051)
Angles: +/- 2°
3. Brass Alloy 360 per ASTM B 16, or 385 per ASTM B455
4. GOLD per ASTM B 488, Type 1 (99.7% min. gold), Code C (130-200 HK {Knoop hardness}), NICKEL per ASTM B 689, Type 2 (Bright)
5. Per IEC 60512-11-(4,-9,-10,-12)
6. Current Rating is typically a measured function of the female socket/connector. The amount of current a solid, male pin can tolerate is a direct relation of the heat displaced based on current and the ability of neighboring components to handle displaced heat.

ADDITIONAL NOTES AND SPECIFICATIONS

In the interest of improved design, quality and performance , Mill-Max reserves the right to make changes in its specifications without prior notice. Specifications and tolerances are provided wherever possible. The tolerance on dimensions of critical to function features is typically held tighter than the stated standard tolerances, such as press-fits, holes and lengths affecting the coplanarity of SMT products. Due to the wide variety of interconnects Mill-Max offers, the specific tolerances vary from product to product. If you need information regarding the tolerance of a particular part, please contact Technical Services.

RELATED LINKS AND DOCUMENTS

- Product Detail: [1968-1-01-15-00-00-03-0 - Target Contact for Spring Pins](#)
- [Application Note - Pins Receptacles & Connectors with Solder Cups](#)
- Environmental Compliance: <https://www.mill-max.com/rohs>