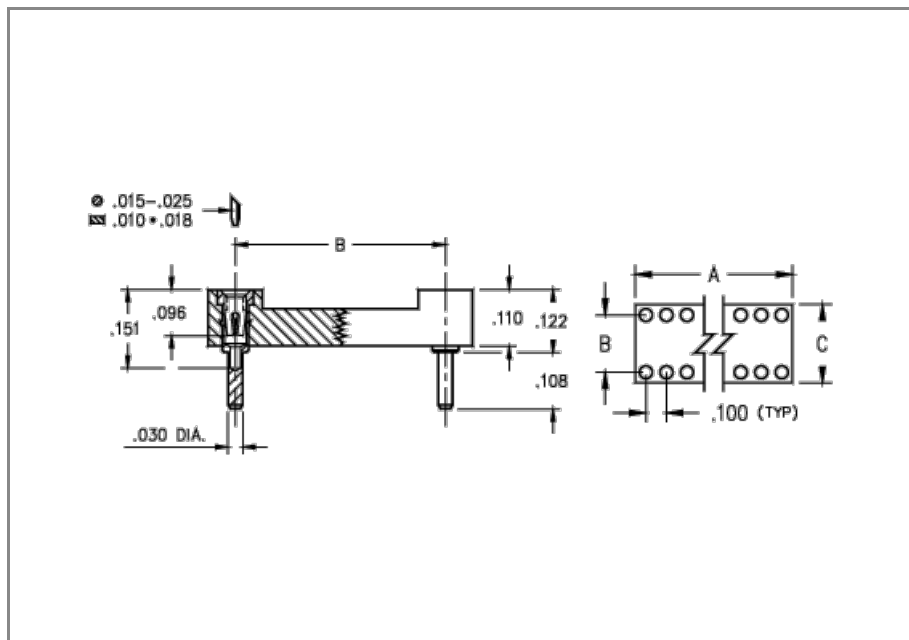




PRODUCT NUMBER: 115-43-310-41-001000

www.mill-max.com  
DATA SHEET



| General Information            |                                    |
|--------------------------------|------------------------------------|
| 1 Product Lifecycle:           | Active                             |
| Product Family:                | IC Socket                          |
| Type:                          | Dual In Line Socket                |
| 2 Description:                 | Low Profile Solder Tail DIP Socket |
| Pitch:                         | .100" (2,540mm)                    |
| Number of Pins:                | 10                                 |
| Head Type:                     | N/A                                |
| Tail Type:                     | Solder Tail                        |
| 3 Operating Temperature Range: | -55/+125° C                        |
| Country of Origin:             | USA                                |
| 4 ROHS:                        | Yes                                |

# 115-43-310-41-001000 - SPECIFICATIONS

| Product Attributes  |  |
|---------------------|--|
| 5 Plating Code:     | 43 - shell: 200 μ" Tin (matte finish) over 100 μ" Nickel - inner contact: 30 μ" Gold over 50 μ" Nickel |
| Insulator Material: | High Temp Thermoplastic  |
| Rows:               | N/A  |
| Frame Type:         | Open Frame   |
| Contact Number:     | 30 - Standard 4 Finger Contact   |
| Mounting Tab:       | N/A  |

| Key Dimensions        |                             |
|-----------------------|-----------------------------|
| Accepting Lead Range: | .015"-.025" (0,381-0,635mm) |
| Above Board Height:   | .122" (3,099mm)             |
| Head Diameter:        | N/A                         |
| Insulator Height:     | .110" (2,794mm)             |
| Tail Diameter:        | .030" (0,762mm)             |
| Tail Length:          | .108" (2,743mm)             |
| A Dim:                | .500" (12,700mm)            |
| B Dim:                | .300" (7,620mm)             |
| C Dim:                | .400" (10,160mm)            |
| E Dim:                | N/A                         |
| L Dim:                | N/A                         |

| Electrical Specifications        |                  |
|----------------------------------|------------------|
| 6 Current Rating:                | 3 Amps           |
| Contact Resistance:              | 10.00mΩ Max      |
| Insulation Resistance:           | 10,000 MΩ min.   |
| Rated Voltage:                   | 100 VRMS/150 VDC |
| Dielectric Withstanding Voltage: | 1,000 VRMS min.  |

### Mechanical Specifications

|                                 |   |
|---------------------------------|---|
| 7 Mechanical life (Durability): | 1,000 Cycles Minimum                            |
| 8 Shock:                        | No Elect. Discontinuity > 1µs @ 50g             |
| 9 Vibration:                    | No Elect. Discontinuity > 1µs @ 10-2000HZ, 15 G |

### Mounting Specifications

|                |                           |
|----------------|---------------------------|
| Mounting Type: | Through Hole Solder Mount |
| Mounting Hole: | .038" (0,965mm)           |
| Mounting Tab:  | N/A                       |
| SMT Pad Size:  | N/A                       |

### Packaging Information

|                    |      |
|--------------------|------|
| Packaging:         | Tube |
| Tape Width:        | N/A  |
| Quantity Per Tube: | 40   |

### Environmental & Export Classifications

|                                   |                  |
|-----------------------------------|------------------|
| REACH Status:                     | REACH Unaffected |
| ECCN:                             | Contact Factory  |
| HTSUS:                            | 8536.90.4040     |
| Cage Code:                        | 3N087            |
| Moisture Sensitivity Level (MSL): | 1 (Unlimited)    |
| Special Handling Code:            | UNDF             |
| Prop 65:                          | N                |
| Static Sensitive:                 | N                |

## NOTES:

1. Part is Active and in Production, No Scheduled Obsolescence
2. Standard Tolerances:
  - Assembly tolerance: +/- .010" (.25mm)
  - Insulator length: +/- .005 (.13mm)
  - Insulator width: +/- .005 (.13mm)
  - Insulator height: +/- .005 (.13mm)
  - Pin Length: +/- .005 (.13mm)
  - Pin Diameter: +/- .002 (.051mm)
  - Pin Angle: +/- 2°
  - Co-planarity of SMT connectors: .005" (.13mm) up to 1" (25.4mm) in connector length
  - Insulator Flatness: .005" (.13mm) up to 1" (25.4mm) in connector length
3. Per IEC 60512-11-(4,-9,-10,-12)
4. Mill-Max products labeled with the RoHS symbol are compliant with all three ROHS Directives. All of our products previously described as RoHS (2002/95/EC) and RoHS-2 (2011/65/EC) are also compliant with RoHS-3 (2015/863/EU).
5. **Shell Plating:** 200 μ" Tin (matte finish) over 100 μ" Nickel  
**Contact/Clip Plating:** 30 μ" Gold over 50 μ" Nickel
6. Per IEC 60512-5-1, Current Carrying Capacity (evaluated at 10° C Temp. Rise)
7. Receptacles are capable of 1,000 Minimum insertion/extraction cycles for a broad range of applications. Mating pin size, shape and finish, along with application specific variables, will affect the life of a receptacle contact.
8. For discrete pin only. Per IEC 60512-6-3: Test 6c: Shock
9. For discrete pin only. Per IEC 60512-6-4: Test 6d: Vibration (sinusoidal)

## ADDITIONAL NOTES AND SPECIFICATIONS

In the interest of improved design, quality and performance, Mill-Max reserves the right to make changes in its specifications without prior notice. Specifications and tolerances are provided wherever possible. The tolerance on dimensions of critical to function features is typically held tighter than the stated standard tolerances, such as press-fits, holes and lengths affecting the coplanarity of SMT products. Due to the wide variety of interconnects Mill-Max offers, the specific tolerances vary from product to product. If you need information regarding the tolerance of a particular part, please contact Technical Services.

## RELATED LINKS AND DOCUMENTS

- Product Detail: [115-43-310-41-001000 - Low Profile Solder Tail DIP](#)
- [DIP Insulator Information](#)
- Environmental Compliance: <https://www.mill-max.com/rohs>