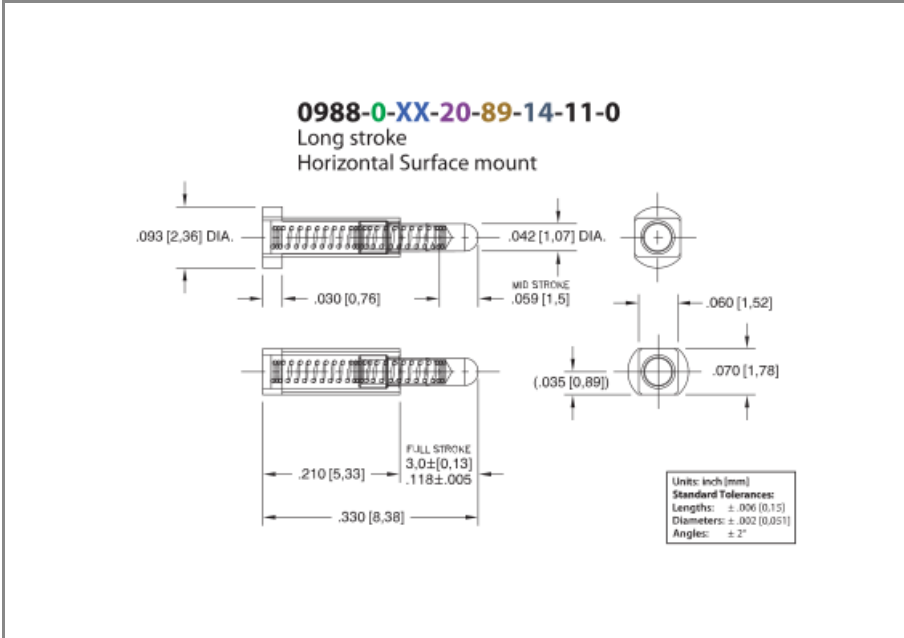




PRODUCT NUMBER: 0988-0-15-20-89-14-11-0

www.mill-max.com  
DATA SHEET



| General Information            |  |
|--------------------------------|--|
| 1 Product Lifecycle:           | Active   |
| Product Family:                | Discrete Spring Loaded Pins                        |
| 2 Description:                 | Horizontal Surface Mount (HSMT) Spring-Loaded Pin  |
| 3 Shell/Plunger Material:      | Brass Alloy  |
| Spring Number:                 | 89 - High Force Stainless Steel (Click For Graphs) |
| Spring Material:               | Stainless Steel                                    |
| 4 Operating Temperature Range: | -55/+125° C  |
| Country of Origin:             | USA  |
| 5 ROHS:                        | Yes  |

| Termination Style |         |
|-------------------|---------|
| Target Face Type: | N/A     |
| Tail Type:        | No Tail |
| Tail:             | None    |
| Wire Termination: | N/A     |

## 0988-0-15-20-89-14-11-0 - SPECIFICATIONS

| Product Attributes         |  |
|----------------------------|--|
| 6 Shell/Plunger Plating:   | 20: Body/Plunger Plating - 20 $\mu$ " Gold over Nickel |
| 7 Spring Plating:          | 14 Spring Plating - 10 $\mu$ " Gold over Nickel        |
| Plunger Type:              | Round  |
| Plunger Diameter:          | .042" (1,067mm)  |
| Max Stroke:                | .118" (2,997mm)  |
| Rated Travel (Mid-Stroke): | .059" (1,499mm)  |
| Spring Force (Initial):    | 25g  |
| Spring Force (Mid-Stroke): | 100g   |

| Key Dimensions       |                 |
|----------------------|-----------------|
| Barb/Knurl Diameter: | N/A             |
| Body Diameter:       | .092" (2,337mm) |
| Body Length:         | .180" (4,572mm) |
| Flange Diameter:     | .093" (2,362mm) |
| Flange Length:       | .030" (0,762mm) |
| Head Diameter:       | N/A             |
| Hole Depth:          | N/A             |
| Initial Height:      | .330" (8,382mm) |
| Overall Length:      | .330" (8,382mm) |
| Tail Diameter:       | No Tail         |
| Tail Length:         | N/A             |

| Electrical Specifications  |                        |
|----------------------------|------------------------|
| Maximum Current:           | 11A @ 30° C Temp. Rise |
| 8 Maximum Derated Current: | 8.80A                  |
| Contact Resistance:        | 20.00m $\Omega$ Max    |

| Mechanical Specifications     |   |
|-------------------------------|---|
| Mechanical life (Durability): | 100,000 to 1,000,000 Cycles @ Mid-Stroke              |
| 9 Shock:                      | No Elect. Discontinuity > 1 $\mu$ s @ 50g             |
| 10 Vibration:                 | No Elect. Discontinuity > 1 $\mu$ s @ 10-2000HZ, 20 G |

### Mounting Specifications

|                          |                     |
|--------------------------|---------------------|
| Mounting Feature:        | Surface Mount       |
| Mounting Hole Type:      | Surface Mount       |
| Mounting Hole:           | N/A                 |
| Alternate Mounting:      | N/A                 |
| Alternate Mounting Hole: | N/A                 |
| SMT Pad Size:            | Rectangular - .200" |

### Packaging Information

|            |                       |
|------------|-----------------------|
| Packaging: | 15 - Packaged in Bulk |
| Reel Size: | 13"                   |

### Environmental & Export Classifications

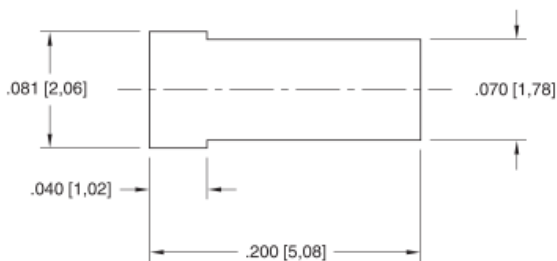
|                                   |                  |
|-----------------------------------|------------------|
| REACH Status:                     | REACH Unaffected |
| ECCN:                             | Contact Factory  |
| HTSUS:                            | 8536.90.4000     |
| Cage Code:                        | 3N087            |
| Moisture Sensitivity Level (MSL): | 1 (Unlimited)    |
| Special Handling Code:            | UNDF             |
| Prop 65:                          | N                |
| Static Sensitive:                 | N                |

## NOTES:

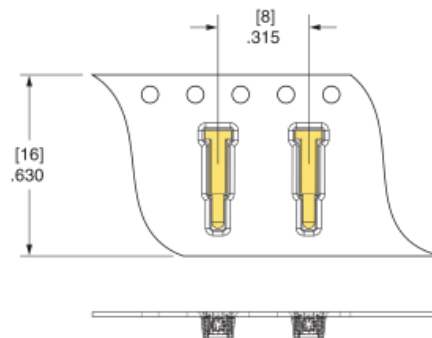
1. Part is Active and in Production, No Scheduled Obsolescence
2. Standard Tolerances:  
Lengths +/- .006" (0,15)  
Diameters: +/- .002" (0,051)  
Angles: +/- 2°
3. Brass Alloy 360 per ASTM B 16, or 385 per ASTM B455
4. Storage per IEC 60512-11-(4,9,10,12) and peak operating temperature per IEC 60512-5-2, Test 5b
5. Mill-Max products labeled with the RoHS symbol are compliant with all three ROHS Directives. All of our products previously described as RoHS (2002/95/EC) and RoHS-2 (2011/65/EC) are also compliant with RoHS-3 (2015/863/EU).
6. GOLD per ASTM B 488, Type 1 (99.7% min. gold), Code C (130-200 HK {Knoop hardness}); NICKEL per ASTM B 689, Type 2 (Bright)
7. GOLD per ASTM B 488, Type 1 (99.7% min. gold), Code C (130-200 HK {Knoop hardness}), NICKEL per ASTM B 689, Type 2 (Bright)
8. Per IEC 60512-5-2; Current Carrying Capacity; Current Derating
9. Per IEC 60512-6-3: Test 6c: Shock
10. Per IEC 60512-6-4: Test 6d: Vibration (sinusoidal)

## ADDITIONAL PARTS, PACKAGING & ASSEMBLY INFO

### Suggested P.C.B. Footprint

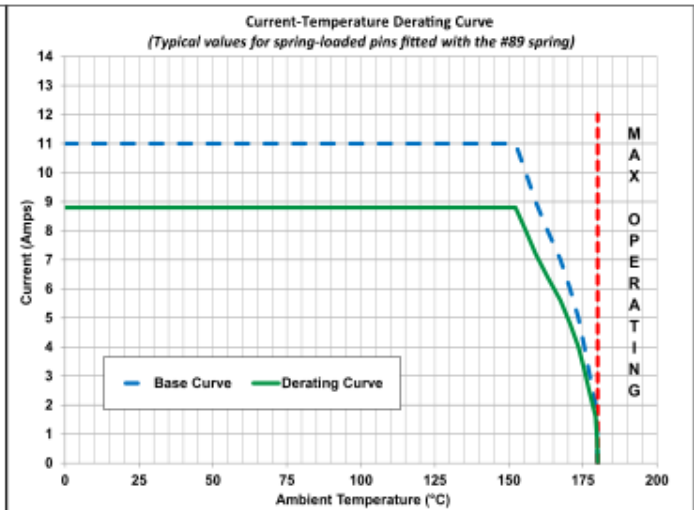
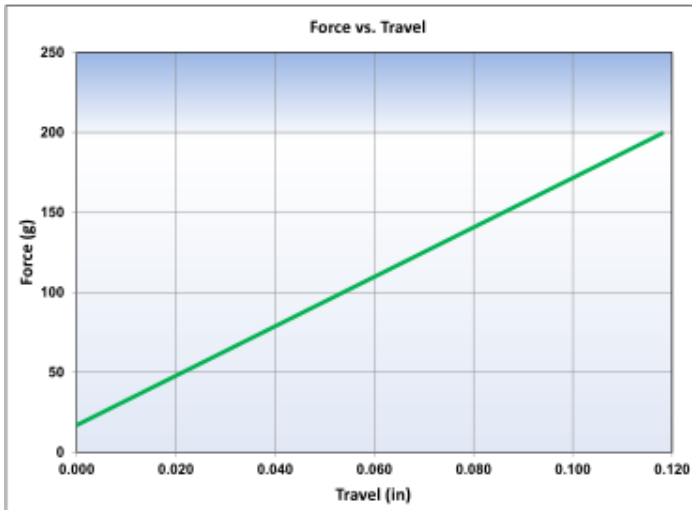


### 0988-0-58 Tape & Reel Details



## SPRING:

|  |  |
|--|--|
| <b>#89 SPRING</b> HIGH FORCE SPRING          | Full Stroke Capability : $.118'' \pm .005''$ [3,0 ± 0,127] |
| Spring Material : <b>Stainless Steel 302</b> | Force @ Mid. Stroke : <b>100 g ± 20 g</b>                  |
| Mid. Stroke : <b>.059''</b> [1,5]            | Initial Force (Pre-Load) : <b>25 g</b>                     |



The stroke, force and current rating values are measured using spring pins with an internal construction per the design specification. Individual spring pin performance may vary from these values based on design differences.

|                                      |                 |                              |                        |
|--------------------------------------|-----------------|------------------------------|------------------------|
| Material                             | Stainless Steel | Grams Force                  | 100g                   |
| Max Stroke                           | .118" (2,997mm) | Maximum Current              | 11A @ 30° C Temp. Rise |
| Maximum Operating Temp @ Max Current | 150.00° C       | 20% De-rated Maximum Current | 8.80A                  |
| Contact Resistance                   | 20.00mΩ Max     |                              |                        |

## ADDITIONAL NOTES AND SPECIFICATIONS

In the interest of improved design, quality and performance, Mill-Max reserves the right to make changes in its specifications without prior notice. Specifications and tolerances are provided wherever possible. The tolerance on dimensions of critical to function features is typically held tighter than the stated standard tolerances, such as press-fits, holes and lengths affecting the coplanarity of SMT products. Due to the wide variety of interconnects Mill-Max offers, the specific tolerances vary from product to product. If you need information regarding the tolerance of a particular part, please contact Technical Services.

## RELATED LINKS AND DOCUMENTS

- Product Detail: [0988-0-15-20-89-14-11-0 - Horizontal Surface Mount \(HSMT\) Spring-Loaded Pin](#)
- Engineering Notebook: [Introduction to Spring-Loaded Pogo Pins & Connectors](#)
- Environmental Compliance: <https://www.mill-max.com/rohs>