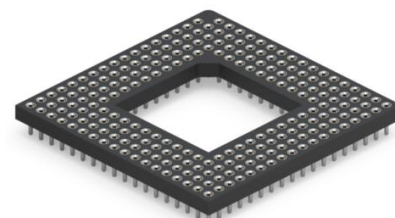
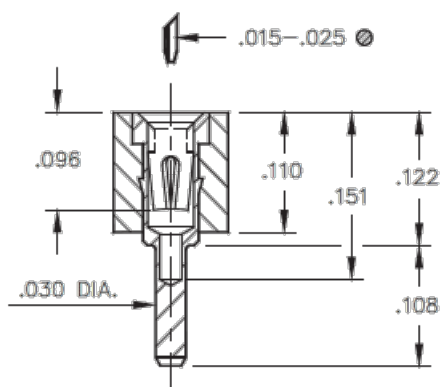




PRODUCT NUMBER: 515-93-223-18-095002

www.mill-max.com
DATA SHEET

SERIES 515 (Low Profile Solder Tail)



General Information	
1 Product Lifecycle:	Active
Product Family:	IC Socket
Type:	Machined Pin Socket
2 Description:	Low Profile Solder Tail PGA Socket
Pitch:	.100" (2,540mm)
Number of Pins:	223
Head Type:	N/A
Tail Type:	Solder Tail
3 Operating Temperature Range:	-55/+125° C
Country of Origin:	USA
ROHS:	No

515-93-223-18-095002 - SPECIFICATIONS

Product Attributes	
4 Plating Code:	93 - shell: 200 μ " Tin/Lead(93/7) over 100 μ " Nickel - inner contact: 30 μ " Gold over 50 μ " Nickel
Insulator Material:	High Temp Thermoplastic
Rows:	N/A
Frame Type:	N/A
Contact Number:	35 - Lite Force 6 Finger Contact
Mounting Tab:	N/A
Spacing:	Standard .100
Grid Layout:	18 X 18

Key Dimensions	
Accepting Lead Range:	.015"-.026" (0,381-0,660mm)
Above Board Height:	.122" (3,099mm)
Head Diameter:	N/A
Insulator Height:	.110" (2,794mm)
Tail Diameter:	.030" (0,762mm)
Tail Length:	.108" (2,743mm)

Electrical Specifications	
5 Current Rating:	3 Amps
Contact Resistance:	10.00m Ω Max
Insulation Resistance:	10,000 M Ω min.
Rated Voltage:	100 VRMS/150 VDC
Dielectric Withstanding Voltage:	1,000 VRMS min.

Mechanical Specifications	
Mechanical life (Durability):	100 Cycles Minimum
6 Shock:	No Elect. Discontinuity > 1 μ s @ 50g
7 Vibration:	No Elect. Discontinuity > 1 μ s @ 10-2000HZ, 15 G

Mounting Specifications

Mounting Type:	Through Hole Solder Mount
Mounting Hole:	.038" (0,965mm)
Mounting Tab:	N/A
SMT Pad Size:	N/A

Packaging Information

8 Packaging:	Packaged in Box or Tube
Tape Width:	N/A

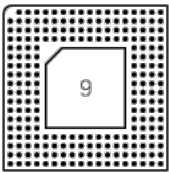
Environmental & Export Classifications

REACH Status:	REACH Unaffected
ECCN:	Contact Factory
HTSUS:	8536.90.4040
Cage Code:	3N087
Moisture Sensitivity Level (MSL):	1 (Unlimited)
Special Handling Code:	UNDF
Prop 65:	N
Static Sensitive:	N

NOTES:

1. Part is Active and in Production, No Scheduled Obsolescence
2. Standard Tolerances:
Assembly tolerance: +/- .010" (.25mm)
Insulator length: +/- .005 (.13mm)
Insulator width: +/- .005 (.13mm)
Insulator height: +/- .005 (.13mm)
Pin Length: +/- .005 (.13mm)
Pin Diameter: +/- .002 (.051mm)
Pin Angle: +/- 2°
Co-planarity of SMT connectors: .005" (.13mm) up to 1" (25.4mm) in connector length
Insulator Flatness: .005" (.13mm) up to 1" (25.4mm) in connector length
3. Per IEC 60512-11-(4,-9,-10,-12)
4. **Shell Plating:** 200 μ " Tin/Lead(93/7) over 100 μ " Nickel
Contact/Clip Plating: 30 μ " Gold over 50 μ " Nickel
5. Per IEC 60512-5-1, Current Carrying Capacity (evaluated at 10° C Temp. Rise)
6. For discrete pin only. Per IEC 60512-6-3: Test 6c: Shock
7. For discrete pin only. Per IEC 60512-6-4: Test 6d: Vibration (sinusoidal)
8. Not all part numbers in the series may be packaged in tubes. Some specific part numbers may be packaged in a box.

ADDITIONAL PARTS, PACKAGING & ASSEMBLY INFO



223-18-095

ADDITIONAL NOTES AND SPECIFICATIONS

In the interest of improved design, quality and performance, Mill-Max reserves the right to make changes in its specifications without prior notice. Specifications and tolerances are provided wherever possible. The tolerance on dimensions of critical to function features is typically held tighter than the stated standard tolerances, such as press-fits, holes and lengths affecting the coplanarity of SMT products. Due to the wide variety of interconnects Mill-Max offers, the specific tolerances vary from product to product. If you need information regarding the tolerance of a particular part, please contact Technical Services.

RELATED LINKS AND DOCUMENTS

- Product Detail: [515-93-223-18-095002 - Low Profile Solder Tail](#)
- Environmental Compliance: <https://www.mill-max.com/rohs>